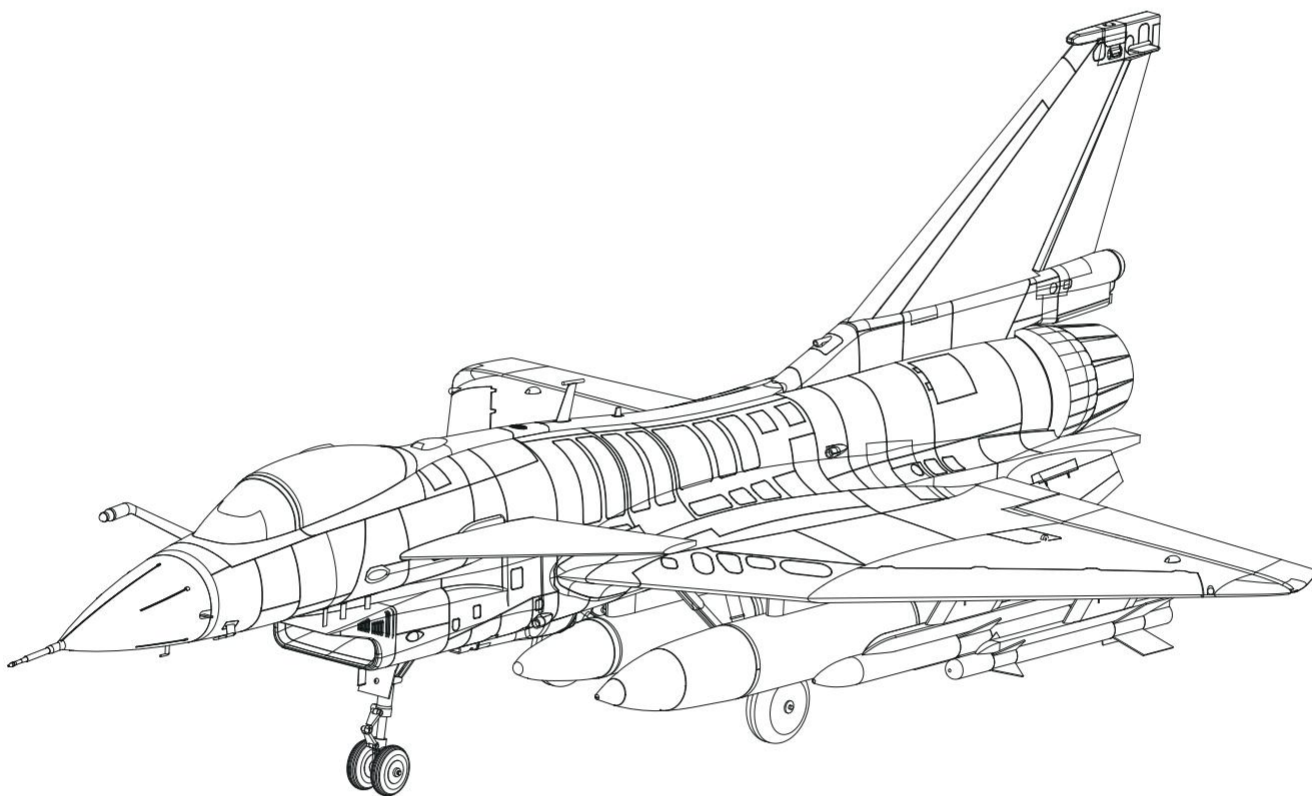




# 64mm J-10



*Instruction Manual*  
*Bedienungsanleitung*  
*Manuel d'utilisation*  
操作手册

**SIMPLE**  
• SIMPLE ASSEMBLY

**RIGID**  
• STRONG DURABLE EPO

**STABLE**  
• SMOOTH FLYING PERFORMANCE

**FMSMODEL.COM**

**WARNING**



WARNING: Read the ENTIRE instruction manual to become familiar with the features of the product before operating. Failure to operate the product correctly can result in damage to the product, personal property and cause serious injury. This is a sophisticated hobby product and NOT a toy. It must be operated with caution and common sense and failure to do so could result in injury or damage to the product or other property. This product is not intended for use by children without direct adult supervision.

This manual contains instructions for safety operation and maintenance. It is essential to read and follow all the instructions and warnings in the manual prior to assembly, setup or use, in order to operate and avoid damage or serious injury.

**Safety precautions and warnings**

As the user of this product, you are solely responsible for operating in a manner that does not endanger yourself and others or result in damage to the product or the property of others. This model is controlled by a radio signal subject to interference from many sources outside your control. This interference can cause momentary loss of control so it is advisable to always keep a safe distance in all directions around your model, as this margin will help avoid collisions or injury.

Age Recommendation: Not for children under 14 years. This is not a toy.

- Never operate your model with low transmitter batteries.
- Always operate your model in an open area away from cars, traffic or people.
- Avoid operating your model in the street where injury or damage can occur.
- Never operate the model in populated areas for any reason.
- Carefully follow the directions and warnings for this and any optional support equipment you use (chargers, rechargeable battery packs, etc.)
- Keep all chemicals, small parts and anything electrical out of the reach of children.
- Moisture causes damage to electronics. Avoid water exposure to all equipment not specifically designed and protected for this purpose.
- Never lick or any place of any your model in your mouth as it could cause serious injury or even death.

**Safety**

**Lithium Polymer (Li-Po) Battery Warning**

CAUTION: Always follow the manufacturer's instructions for safe use and disposal of batteries. Fire, property damage, or serious injury can result from the mishandling of Li-Po batteries.

- By handling, charging or using a Li-Po Battery you assume all risks associated with lithium batteries.
  - If at any time the batteries begin to swell or balloon, discontinue use immediately!
- Always store the batteries at room temperature in a dry area to extend the life of the battery. Always transport or temporarily store the battery in a temperature range of 40-120F. Do not store the battery or model in a car or in direct sunlight. If stored in a hot car, the battery can be damaged or even catch fire.
- Never use a Ni-Mh Charger to charge Li-Po Batteries. Failure to charge the battery with a Li-Po compatible charger may cause fire resulting in personal injury and property damage.
- Never discharge Li-Po Cells below 3V.
- Never leave charging batteries unattended.
- Never charge damaged batteries.

**Charging the Flight Battery Warning**

- Use a battery charger that is designed to safely charge the Li-Po Battery. Read the charger instructions carefully before use. When charging the battery, make certain the battery is on a heat resistant surface. It is also highly recommended to place the Li-Po Battery inside a fire resistant charging bag readily available at hobby shops or online.

## Introduction

### Background

The J-10 fighter jet, nicknamed "Vigorous Dragon" is a domestically developed high-performance, multi-role, all-weather third-generation fighter aircraft. It boasts high reliability, survivability, and maneuverability, with a large combat radius, short takeoff and landing distances, strong attack capabilities, and overall combat effectiveness reaching advanced international levels among similar fighter jets.

### Features:

- 1.The unique layout of a delta wing with canards provides the aircraft with excellent climb rates and climbing altitudes, allowing for easy execution of low-speed high-angle maneuvers. Additionally, the delta wing, canards, and vertical tail are all reinforced with embedded strengthening ribs, effectively increasing the structural integrity of the aircraft and facilitating high-speed flight.
- 2.Equipped with a 64mm 12-blade ducted fan with a 2840 KV3150 brushless motor and a high-performance 40A ESC, it is paired with commonly available 4S 2200mAh-2600mAh 25c batteries, effortlessly reproducing the thrilling sound of a fighter jet.
- 3.High-fidelity details include but are not limited to non-functional scale detachable weapon sets (for air force gray livery only), air refueling probe, cockpit interior, pilot figure, and five high-intensity navigation lights.
- 4.CNC-machined metal front landing gear with built-in CNC metal shock absorption, externally using realistic plastic parts.
- 5.EPO 40 foam material with high-impact absorption and rigidity.
- 6.Simulation water-based paint finish, with a full and tough paint film that is water-resistant, heat-resistant, and has a pleasing gloss finish.
- 7.Features a simple-assembly structure, experienced players can complete all assembly and pre-flight testing in just thirty minutes.
- 8.Optional paint schemes include the "August 1st" Aerobatic Team paint and the Air Force gray paint.

## Kit contents

Before assembly, please inspect the contents of the kit. The photo below details the contents of the kit with labels. If any parts are missing or defective, please identify the name or part number (refer to the spare parts list near the end of the manual) then contact your local shop or email us: [support@fmsmodel.com](mailto:support@fmsmodel.com).

### J-10 Air Force gray Specifications

**Wingspan:** 690mm (27.2in)

**Overall Length:** 1110mm (43.7in)

**Flying Weight:** Around 1100g

**Motor Size:** 2840 - KV3150

**Wing Load:**59.5g/dm<sup>2</sup> (0.12oz/in<sup>2</sup>)

**Wing Area:** 18.5dm<sup>2</sup> (286.5sq.in)

**ESC:** 40A

**Servo:** 9g x 4pcs

**EDF:** 64mm Ducted Fan 12-blade

**Recommended Battery:** 14.8V2200mAh-2600mAh 25C

### J-10 "August 1st" Scheme Specifications

**Wingspan:** 690mm (27.2in)

**Overall Length:** 1110mm (43.7in)

**Flying Weight:** Around 1000g

**Motor Size:** 2840 - KV3150

**Wing Load:**54g/dm<sup>2</sup> (0.11oz/in<sup>2</sup>)

**Wing Area:** 18.5dm<sup>2</sup> (286.5sq.in)

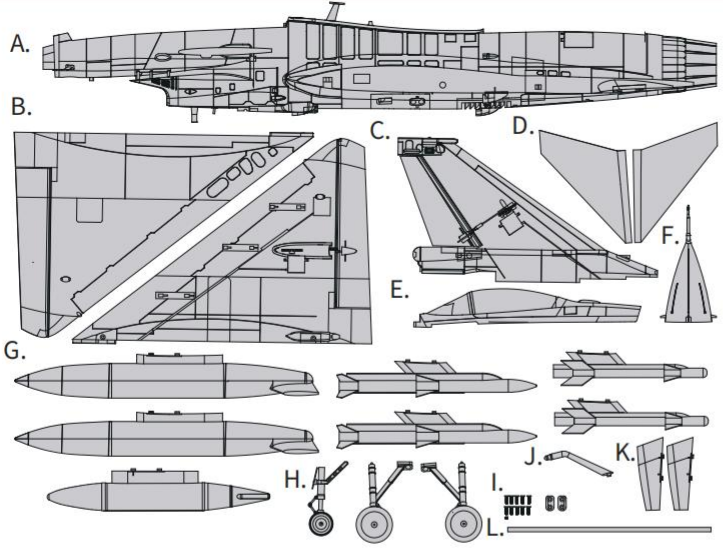
**ESC:** 40A

**Servo:** 9g x 4pcs

**EDF:** 64mm Ducted Fan 12-blade

**Recommended Battery:** 14.8V2200mAh-2600mAh 25C

# Kit contents



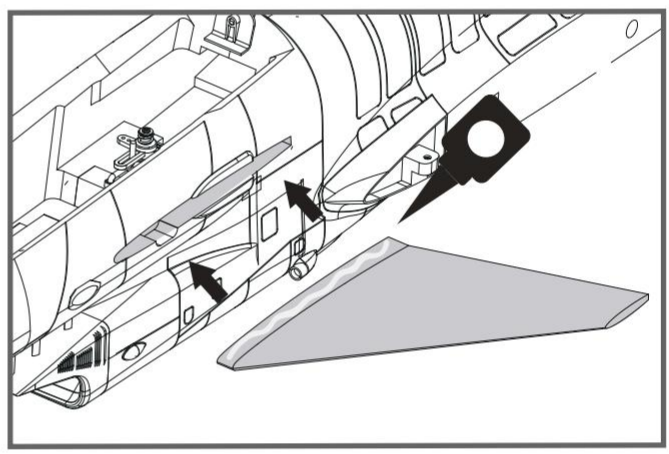
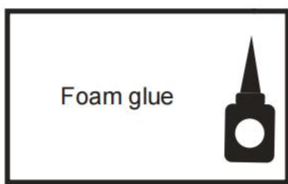
- A: Fuselage
- B: Main wing
- C: Vertical stabilizer
- D: Canard wing
- E: Cockpit
- F: Cowl
- G: Armaments (for gray scheme only)
- H: Landing gear set
- I: Spacers and Screw set (hkm3.0x10\*10 ,3x4mm set screw\*1)
- J: Air refueling probe
- K: Ventral fins
- L: Wing tube

# Model assembly

## Canards installation

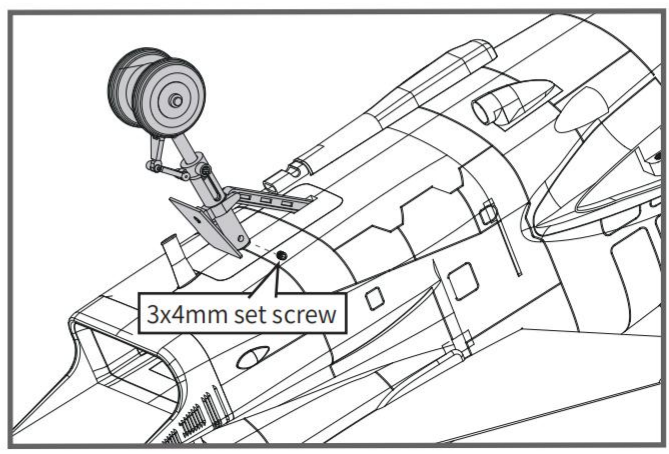
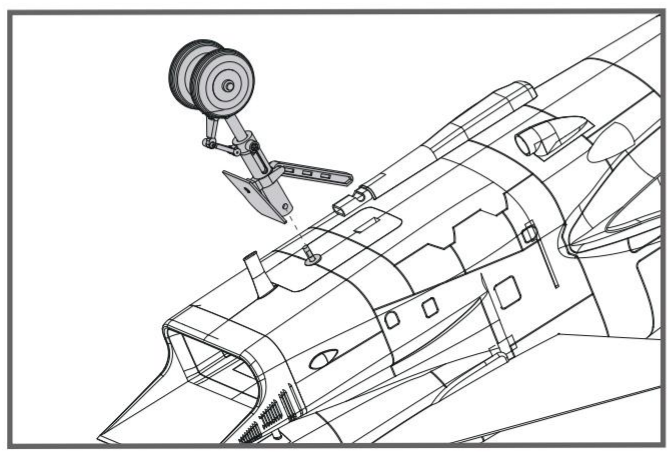
1. Apply foam glue to the contact surface of the fuselage and the canard, and install the canard to the fuselage slot.

Note: The canards need to be installed in place, ensuring that there is no angle between the left and right sides.



## Nose landing gear installation

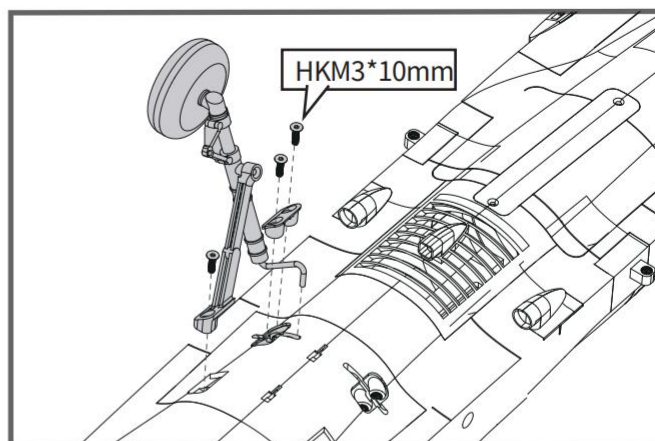
1. Attach the nose landing gear to the wire on the bottom of the fuselage as shown.
2. Secure the nose landing gear in place using the included screws (3\*4mm set screw x 1).



# Model assembly

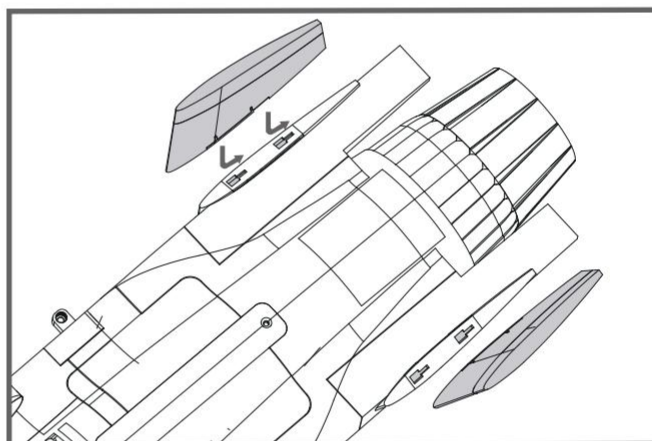
## Main landing gear installation

1. Instal the main landing gear (left and right sets) onto the bottom of fuselage as shown using the included screws (HKM3\*10 X 6) and spacers.



## Ventral fin installation

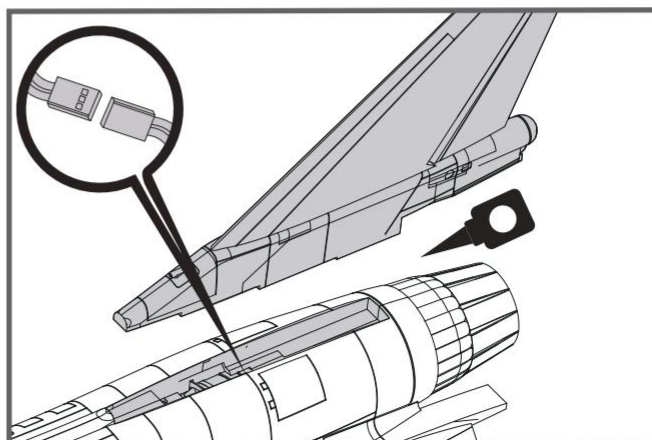
1. Install the ventral fins to the fuselage slots as shown in the figure, and slide them towards the rear of the fuselage to fix in place.



## Vertical stabilizer installation

- 1. connect the rudder servo wire to the servo extension wire embedded in the fuselage as shown.
- 2. Apply foam glue to the contact surface of the fuselage and the vertical stabilizer, and install the vertical stabilizer to the fuselage slot.

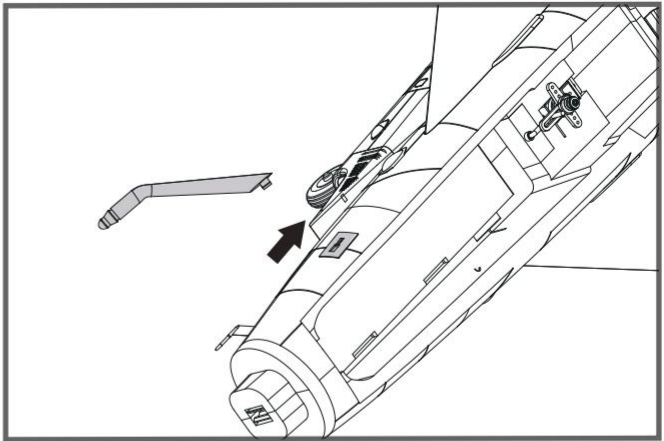
Note: The connectors on both sides should be attached precisely and firmly.



# Model assembly

## Air refueling probe installation

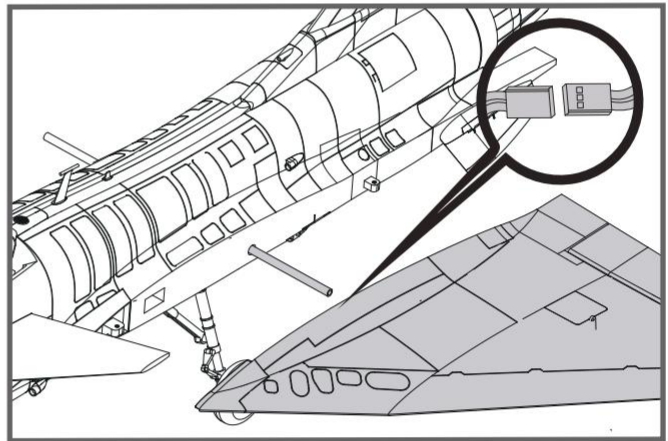
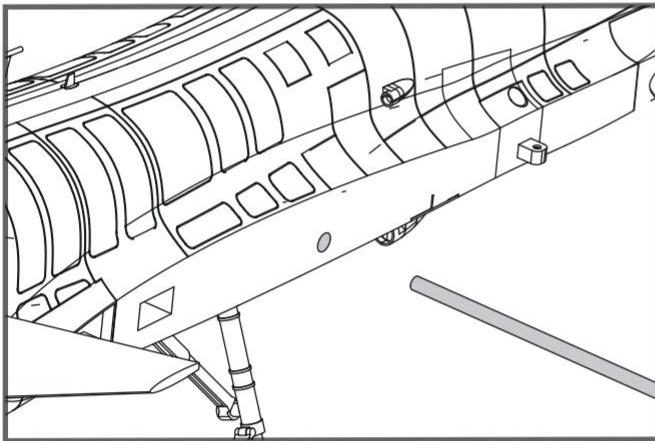
1. Install the air refueling probe to the slot on the nose as shown in the figure, then move it toward the rear of the fuselage to fix.



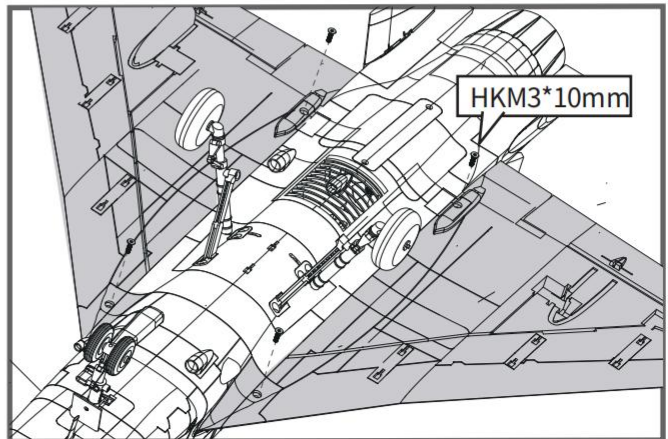
## Main wing installation

1. Insert the wing tube to the corresponding slot on the fuselage.  
2. Align and connect the mainwing servo plugs to the servo extensions located within the fuselage. Install the left and right wings to the wing tube, and move the wings in the direction shown in the figure to fuselage slot.

Note: The connectors on both sides should be attached precisely and firmly.



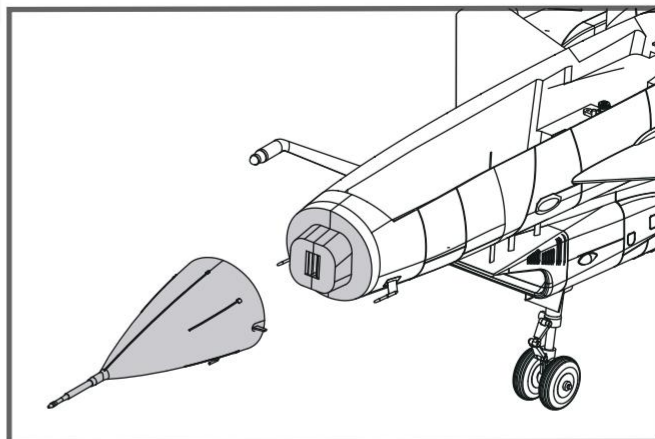
3. Secure the main wing to the fuselage using the included screws.(HKM3\*10mm x 4)



## Model assembly

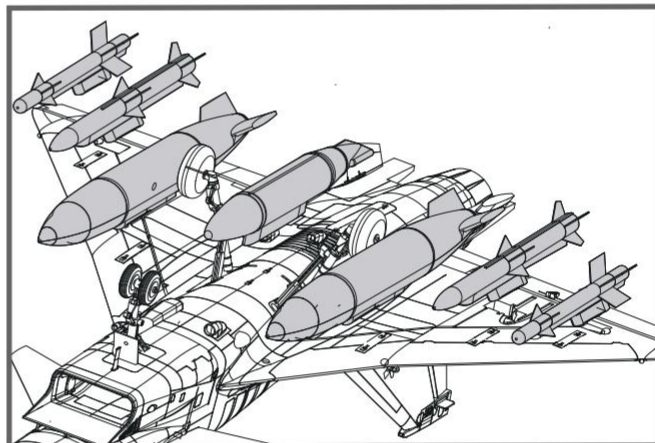
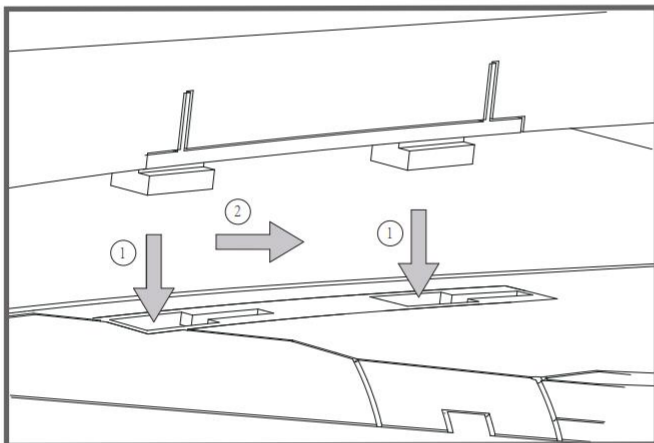
### Cowling installation

1. Install the cowling to the front of the fuselage, ensuring that the cowling is installed in the correct direction.



### Scale armaments installation (battlefield gray trim scheme only)

1. Detailed schematic diagram of hanging missile installation: put the hanging missiles into the slot in the direction of the arrow ①, and the push in the direction of arrow ② until the buckle is fixed in place.
2. Install the scale armaments to the fuselage and the main wing slots, and slide them towards the rear of the airplane to fix.

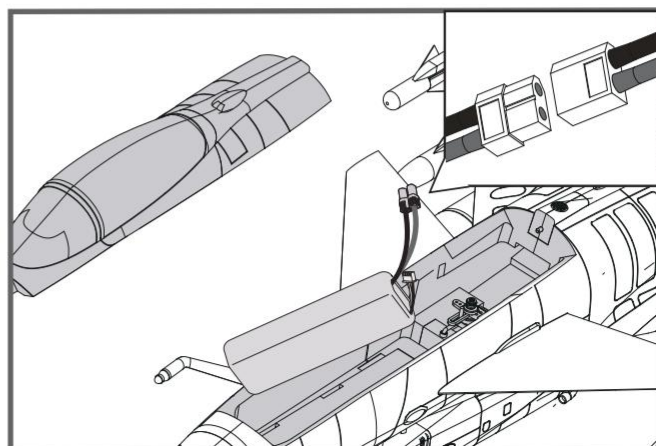


### Battery installation

1. Pull back on the latch and remove the battery hatch.
2. Apply the hook tape to the cable end of the battery.
3. Slide the full charged battery into the battery compartment with the power supply cable toward the rear end of the plane.

Note: The center of gravity can be adjusted by moving the battery forward or aft. Having the correct center of gravity is critical to achieving proper flight characteristics.

Battery compartment size: 160x55x42mm



## Receiver diagram

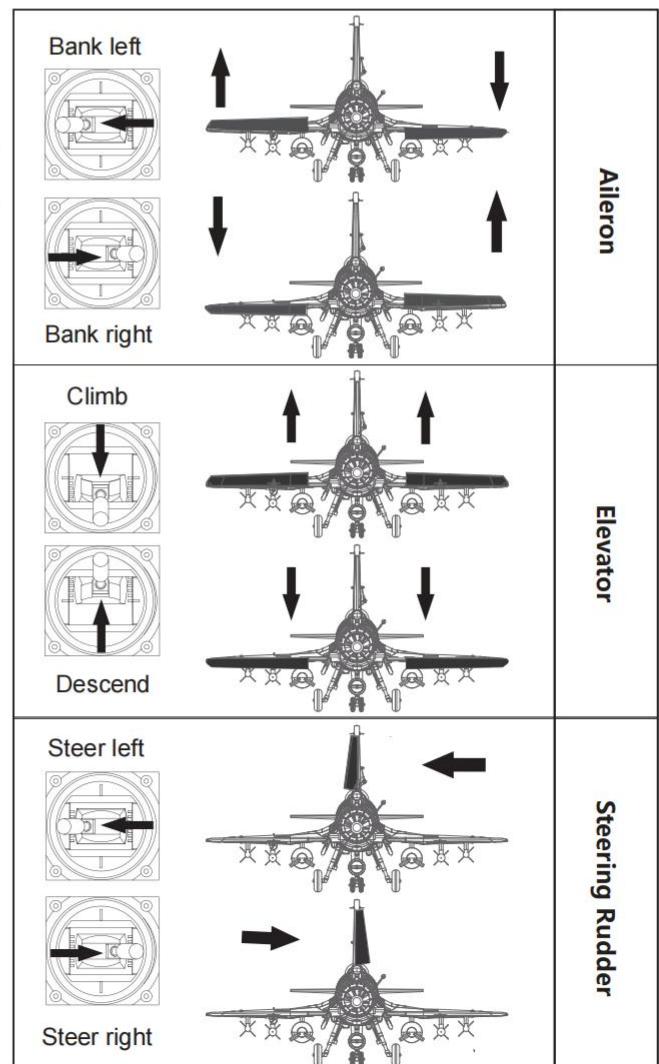
The cables from the servo connector board should be connected to your receiver in the order shown. Note that the LEDs can be powered by any spare channel on the receiver. Tuck the wire leads into the recessed cavity towards the rear of the battery hatch.

		Receiver
<b>Aileron</b>	1	Channel-1 — Aile
<b>Elevator</b>	2	Channel-2 — Elev
<b>Throttle</b>	3	Channel-3 — Thro
<b>Rudder</b>	4	Channel-4 — Rudd
<b>Gear</b>	5	Channel-5 — Gear
<b>Spare</b>	6	Channel-6 — Spare

## Get your model ready to fly

### Transmitter and model setup

Before getting started, bind your receiver with your transmitter. Please refer to your transmitter manual for proper operation. **CAUTION:** To prevent personal injury, DO NOT install the propeller assembly onto the motor shaft while testing the control surfaces. DO NOT arm the ESC and do not turn on the transmitter until the Transmitter Manual instructs you to do so. **Tips:** Make sure all control sticks on your radio are in the neutral position (rudder, elevator, ailerons) and the throttle is in the OFF position. Make sure both ailerons move up and down (travel) the same amount. This model tracks well when the left and right ailerons travel the same amount in response to the control stick. Move the controls on the transmitter to make sure the aircraft control surface moves correctly. See diagrams right.





## Get your model ready to fly

### Control throws

The suggested control throw setting for the 64mm J-10 are as follows (dual rate setting):

Tips: On the first flight, fly the model in low rate. The first time you use high rates, be sure to fly at low to medium speeds. High rate, as listed, is only for EXTREME maneuvering.

	High Rate	Low Rate
Elevator	20mm up / down	18mm up / down
Aileron	12mm up / down	8mm up / down
Rudder	22mm left / right	18mm left / right

### Important ESC and model information

1. The ESC included with the model has a safe start. If the motor battery is connected to the ESC and the throttle stick is not in the low throttle or off position, the motor will not start until the throttle stick is moved to the low throttle or off position. Once the throttle stick is moved to the low throttle or off position, the motor will emit a series of beeps. Several beeps with the same tune means the ESC has detected the cells of the battery. The count of the beeps equals the cells of the battery. The motor is now armed and will start when the throttle is moved.
2. The motor and ESC come pre-connected and the motor rotation should be correct. If for any reason the motor is rotating in the wrong direction, simply reverse two of the three motor wires to change the direction of rotation.
3. Battery Selection and Installation. We recommend the 14.8V 2200-2600mAh 25c Li-Po battery. If using another battery, the battery must be at least a 14.8V 2200-2600mAh 25c battery. Your battery should be approximately the same capacity, dimension and weight as the 14.8V 2200-2600mAh 25c Li-Po battery to fit the fuselage without changing the center of gravity significantly.

## Control horn and servo arm settings

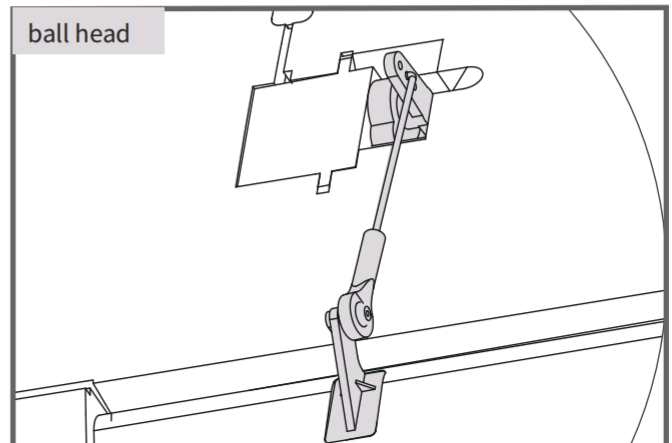
The table shows the factory settings for the control horns and servo arms. Fly the aircraft at the factory settings before making changes. After flying, you may choose to adjust the linkage positions for the desired control response.

	Horns	Arms	More control throw
Elevator			
Rudder			
Ailerons			

## Linkage rods installation

Before installing the main wing, horizontal tail and vertical tail, the linkage rods for ailerons, flaps, elevators and rudder should be installed in advance.

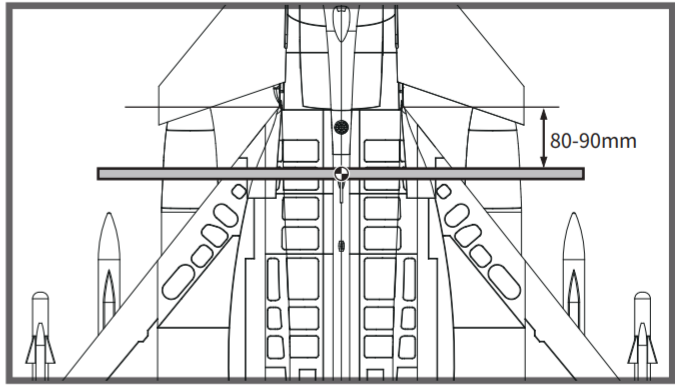
Make sure the servos are in neutral position. Attach the “Z” bend end of aileron, flap, elevator and rudder linkage rods to the corresponding holes in the aileron, flap, elevator and rudder control arms from the outside as shown (Please refer to the **control horn and servo arm settings** and **clevis installation** sections in manual). And then install the ball buckle at the other end of the linkage rods to ball head at each control horn on control surfaces.



## Check the C.G. (Center of gravity)

When balancing your model, adjust the battery as necessary so the model is level or slightly nose down. This is the correct balance point for your model. After the first flight, the CG position can be adjusted for your personal preference.

1. The recommended Center of Gravity (CG) location for your model is (80-90mm) from the leading edge of the main wing (as shown) with the battery pack installed. Mark the location of the CG on top of the wing.
2. When balancing your model, support the plane at the marks made on the bottom of the main wing with your fingers or a commercially available balancing stand. This is the correct balance point for your model. Make sure the model is assembled and ready for flight before balancing.



## Before flying the model

### Find a suitable flying site

Find a flying site clear of buildings, trees, power lines and other obstructions. Until you know how much area will be required and have mastered flying your plane in confined spaces, choose a site which is at least the size of two to three football fields - a flying field specifically for R/C planes is best. Never fly near people - especially children, who can wander unpredictably

### Perform the range check for your plane

As a precaution, an operational ground range test should be performed before the first flight each time you go out. Performing a range test is a good way to detect problems that could cause loss of control such as low batteries, defective or damaged radio components, or radio interference. This usually requires an assistant and should be done at the actual flying site you will be using.

First turn on the transmitter, then install a fully-charged battery into the fuselage. Connect the battery and install the hatch. Remember, use care not to bump the throttle stick. Otherwise, the propeller/fan will turn and possibly cause damage or injury

Note: Please refer to your Transmitter Manual that came with your radio control system to perform a ground range check. If the controls are not working correctly or if anything seems wrong, do not fly the model until you correct the problem. Make certain all the servo wires are securely connected to the receiver and the transmitter batteries have a good connection.

### Monitor your flight time

Monitor and limit your flight time using a timer (such as on a wristwatch or in your transmitter if available). When the batteries are getting low you will usually notice a performance drop before the ESC cuts off motor power, so when the plane starts flying slower you should land. Often (but not always) power can be briefly restored after the motor cuts off by holding the throttle stick all the way down for a few seconds.

To avoid an unexpected dead-stick landing on your first flight, set your timer to a conservative 4 minutes. When your alarm sounds you should land right away.

## Flying course

### Take off

While applying power, slowly steer to keep the model straight. The model should accelerate quickly. As the model gains flight speed you will want to climb at a steady and even rate. It will climb out at a nice angle of attack (AOA).

---

### Flying

Always choose a wide-open space for flying your plane. It is ideal for you to fly at a sanctioned flying field. If you are not flying at an approved site always avoid flying near houses, trees, wires and buildings. You should also be careful to avoid flying in areas where there are many people, such as busy parks, schoolyards, or soccer fields. Consult laws and ordinances before choosing a location to fly your aircraft. After takeoff, gain some altitude. Climb to a safe height before trying technical manoeuvres, including high speed passes, inverted flight, loops, and point rolls.

---

### Maintenance

Repairs to the foam should be made with foam safe adhesives such as hot glue, foam safe CA, and 5min epoxy. When parts are not repairable, see the Spare Parts List for ordering by item number. Always check to make sure all screws on the aircraft are tightened. Pay special attention to make sure the spinner is firmly in place before every flight.

---

### Landing

Land the model when you hear the motor pulsing (LVC) or if you notice a reduction in power. If using a transmitter with a timer, set the timer so you have enough flight time to make several landing approaches. The model's three point landing gear allows the model to land on hard surfaces. Align model directly into the wind and fly down to the ground. Fly the airplane down to the ground using 1/4-1/3 throttle to keep enough energy for proper flare. Before the model touches down, always fully decrease the throttle to avoid damaging the propeller or other components. The key to a great landing is to manage the power and elevator all the way to the ground and set down lightly on the main landing gear. After a few flights you will find the model can be set down lightly on the mains and you can hold the nose wheel off balancing the model on the mains until it slows and gently settles the nose.

## Trouble shooting

Problem	Possible Cause	Solution
Aircraft will not respond to the throttlebut responds to other controls.	-ESC is not armed. -Throttle channel is reversed.	-Lower throttle stick and throttle trim to lowest settings. -Reverse throttle channel on transmitter.
Extra propeller noise or extra vibration.	-Damaged spinner, propeller, motor or motor mount. -Loose propeller and spinner parts. -Propellor installed backwards.	-Replace damaged parts. -Tighten parts for propeller adapter, propeller and spinner. -Remove and install propeller correctly.
Reduced flight time or aircraft underpowered.	-Flight battery charge is low. -propeller installed backward. -Flight battery damaged.	-Completely recharge flight battery. -Replace flight battery and follow flight battery instructions.
Control surface does not move, or is slow to respond to control inputs.	-Control surface, control horn, linkage or servo damage. -Wire damaged or connections loose.	-Replace or repair damaged parts and adjust controls. -Do a check of connections for loose wiring.
Controls reversed.	Channels are reversed in the transmitter.	Do the control direction test and adjust controls for aircraft and transmitter.
-Motor loses power -Motor power pulses then motor loses power.	-Damage to motor, or battery. -Loss of power to aircraft. -ESC uses default soft Low Voltage Cutoff(LVC).	-Do a check of batteries, transmitter, receiver, ESC, motor and wiring for damage(replace as needed). -Land aircraft immediately and recharge flight battery.
LED on receiver flashes slowly.	Power loss to receiver.	-Check connection from ESC to receiver. -Check servos for damage. -Check linkages for binding.

## Spare parts list content

FMSEU101GY	Fuselage	FMSEU119GY	Exhaust Nozzle (plastic)
FMSEU102GY	Main Wing Set	FMSEU120	Airspeed Head
FMSEU103GY	Canard	FMSDFX010	64mm 12-blade ducted fan
FMSEU104GY	Vertical Stabilizer	PRKVX3150	2840-KV3150 Motor
FMSEU105GY	Cowl	PRESC040	40A ESC
FMSEU106GY	Canopy	FMSSER003	9g digital gear servo positive
FMSEU107GY	Oil Tank&Missile Set	FMSSER011	9g digital servo 54 degree
FMSEU108	Linkage Rod	FMSEU101BU	Fuselage
FMSEU109	Front landing gear	FMSEU102BU	Main Wing Set
FMSEU110	Main Landing Gear Set	FMSEU103BU	Canard
FMSEU111	Pipe	FMSEU104BU	Vertical Stabilizer
FMSEU112GY	Decal Sheet	FMSEU105BU	Cowl
FMSEU113	Screws set	FMSEU106BU	Canopy
FMSEU114GY	Control horn	FMSEU107BU	Oil Tank&Missile Set
FMSEU115GY	Ventral fins	FMSEU112BU	Decal Sheet
FMSEU116	LED Set	FMSEU114BU	Control horn
FMSEU117	Lamp cover	FMSEU115BU	Ventral fins
FMSEU118	Refueling Probe	FMSEU119BU	Exhaust Nozzle (plastic)

## Brushless ESC Introduction

### Important warnings

- ZTW is not responsible for your use of this product, or any damage or injuries you may cause or sustain as a result of its usage.
- Always place safety as priority when you use the product.
- An electric motor that is connected in combination with a battery and/or ESC may start unexpectedly and cause serious damage and so should always be used with care and respect.
- We recommend you always remove the propeller when working on a model with the power source connected.
- Follow and observe all local laws and by-laws relating to model flying when flying RC planes.
- Never fly over others or near crowds.

### Key features

1. Utilizes powerful next generation MOSFET with a low thermal signature, high peak current threshold and reliability.
2. Features high performance 32bit microprocessor as standard. Stronger computing ability and faster processing rates.
3. Super smooth start up and throttle throughout the power range.
4. Higher driving efficiency and more energy-saving.
5. Adjustable SBEC output voltage, 5V/6V. (40A/50A/60A/80A/100A have SBEC adjustable)
6. Multiple protection protocols: start-up, over-heat, low-voltage cutoff, signal loss, phase loss etc.
7. Supports wide range of high RPM type motors commonly found in today's market.
8. Fully programmable via optional ZTW mobile app or ZTW LCD programming card.

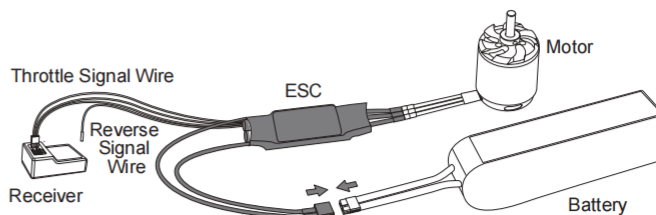
### Specification

Type	PN#Model	Cont./Burst Current(A)	Battery cell NiXX\Lipo	Weight (g)	BEC Output	Size(mm) L*W*H	User Program
Beatles 20A SBEC G2	3020211	20A/30A	5-12NC/2-4Lipo	25	5.5V/4A	60*25*10	Yes
Beatles 30A SBEC G2	3030211	30A/40A	5-12NC/2-4Lipo	25	5.5V/4A	60*25*10	Yes
Beatles 40A SBEC G2	3040211	40A/55A	5-12NC/2-4Lipo	37	5V/6V 4A	68*25*10	Yes
Beatles 50A SBEC G2	3050211	50A/65A	5-12NC/2-4Lipo	37	5V/6V 4A	68*25*10	Yes
Beatles 60A SBEC G2	3060211	60A/80A	5-18NC/2-6Lipo	50	5V/6V 8A	70*34*10	Yes
Beatles 80A SBEC G2	3080211	80A/100A	5-18NC/2-6Lipo	75	5V/6V 8A	90*37*10	Yes
Beatles 100A SBEC G2	30100211	100A/120A	5-18NC/2-6Lipo	80	5V/6V 8A	90*37*10	Yes

### Wires Connection:

The speed controller can be connected to the motor by soldering directly or with high quality connectors. Always use new connectors, which should be soldered carefully to the cables and insulated with heat shrink tube. The maximum length of the battery pack wires shall be within 6 inches.

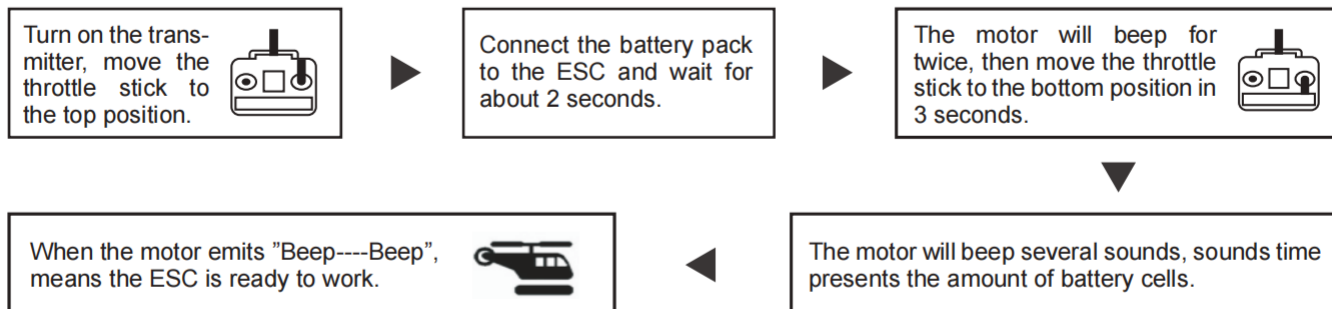
- Solder controller to the motor wires.
- Solder appropriate connectors to the battery wires.
- Insulate all solder connectors with heat shrink tubes.
- Plug the "JR" connector into the receiver throttle channel.
- Controller Red and Black wires connects to battery pack Red and Black wires respectively.



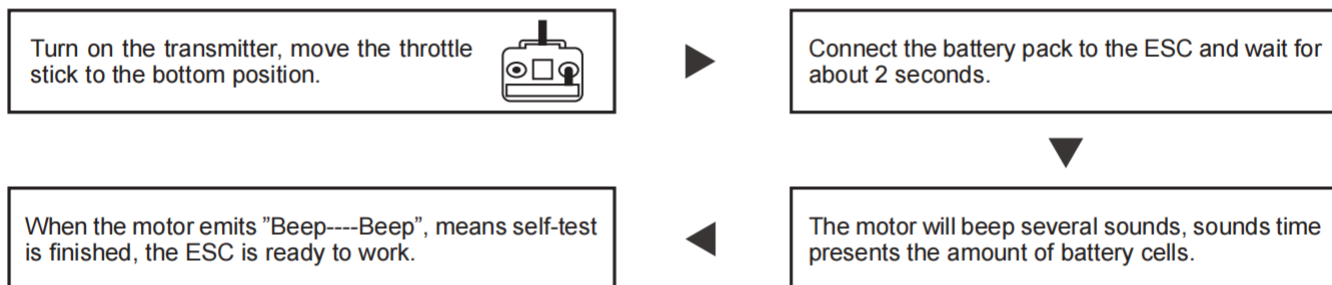
# Brushless ESC Introduction

## Throttle calibration

(Important: Please make the throttle calibration for the first time using ESC!!!)



## Normal startup procedure



## Programming items(the option written in bold font is the default setting)

1. SMR Function: **OFF**/ON

This function supports switching the motor rotation to decelerate when the airplane landing to the ground. The factory default is OFF, the 1Pin signal wire is completely invalid at this time. If you need to turn it on, using Phone App or transmitter to program it "ON", plug the 3Pin signal wire into the throttle channel, and plug the 1Pin signal wire into any 2-stage switch channel of the receiver, then turn on the transmitter 2-stage switch. The SMR function is turned on now, you can change the forward and reverse directions of the motor by flipping the 2-stage switch of the transmitter.

**Warning:** This function can only be effective when the throttle is below 50%, and it is only allowed to be used when the airplane is landing on the ground, otherwise it may cause the ESC to burn!

2. Brake Type: **OFF**/Soft/Mid/Hard

3. Timing: **Auto**/Low/Mid/High(5°/15°/25°)

4. Motor Rotation: **CW**/CCW

5. SR function: ON/**OFF**

The synchronous rectification function makes ESC with higher driving efficiency and more energy-saving.

6. Battery cells: **Auto**/2S/3S/4S/5S/6S

7. Low Voltage Cutoff Threshold: OFF/NIMH50%/NIMH60%/**3.0V**/3.2V/3.4V/3.6V

For example: using 3 lithium batteries and setting 3.0V as the low voltage cutoff value, then the low voltage protection threshold is: 3\*3.0 = 9.0V

8. Low Voltage Cutoff Type: **Reduce Power**/Cut Off Power

Reduced power: When the voltage drops to the set low-voltage protection threshold, the ESC will reduce power to 70%.

## Brushless ESC Introduction

Cut Off power: When the voltage drops to the set low-voltage protection threshold, the ESC will cut off the power immediately. 9.40A\50A\60A\80A\100A ESCs have adjustable SBEC 5V/6V, the default set is **5.0V**.

10.Acceleration: **Normal/Soft**

### Entering the programming mode

1. Turn on the transmitter, move the throttle stick to the top position.
2. Connect the battery pack to ESC.
3. Wait for 2 seconds, the motor will emit special tone like “beep-beep beep”
4. Wait for another 3 seconds, the motor will emit special tone like “123”, which means program mode entered.

### Programmable items

After entering program mode, you will hear 11 tones in a loop with the following sequence.

Tones	Programmable items	
1). “beep”	SMR Function	(1 short tone)
2). “beep.beep”	Brake Type	(2 short tone)
3). “beep.beep.beep”	Motor Timing	(3 short tone)
4). “beep.beep.beep.beep”	Motor Rotation	(4 short tone)
5). “beep- -”	SR Function	(1 long tone)
6). “beep- -.beep”	Battery cells	(1 long 1short)
7). “beep- -.beep.beep”	Low Voltage Cutoff Threshold	(1 long 2 short)
8). “beep- -.beep.beep.beep”	Low Voltage Cutoff Type	(1 long 3 short)
9). “beep- -.beep.beep.beep.beep”	BEC Voltage	(1 long 4 short)
10).“beep- -beep- -”	Acceleration	(2 long tone)
11).“beep- -beep- -.beep”	Restore Factory Setup Defaults	(2 long 1 short)

Note: 1 long “beep- -” = 5 short “beep”

### Set item value

Moving the throttle stick to the bottom position within 2 seconds after one kind of following tones, this item will be selected. After the programmable item selected, then you will hear several tones in loop as follows on each programmable item, set the value matching to a tone by moving throttle stick to top position when you hear the tone, then the motor will emit special tone like “123”, means this value is set and saved.

For example: If you want to set the motor rotation, when you hear four short tones of "Beep", moving the throttle stick to the bottom position within 2 seconds, means you enter the motor rotation menu. One short tone of "Beep" is forward direction(CW), two short tones of "Beep" is reverse direction(CCW). If you want to set to reverse direction(CCW), moving the throttle stick to the top position when you hear the two short tones of "Beep", then you will hear a special confirmation tone like “123”, which means the “CCW” is set and saved.

Keeping the throttle stick at top, you will go back to programming mode and you can select other items; or moving the stick to bottom within 2 seconds will exit program mode directly).

## Brushless ESC Introduction

### Programming tone reference table

Items \ Tones	"beep"	"beep.beep"	"beep.beep .beep"	"beep.beep .beep.beep"	"beep- -"	"beep- - beep"	"beep- - beep.beep"
	1short tone	2short tone	3short tone	4short tone	1long	1long 1short	1long 2short
SMR Function	<b>*OFF</b>	ON					
Brake Type	<b>*OFF</b>	Soft Brake	Mid Brake	Mid Brake			
Motor Timing	<b>*Auto</b>	Low	Mid	Mid			
Motor Rotation	<b>*CW</b>	CCW					
SR Function	ON	<b>*OFF</b>					
Battery Cells	<b>*Auto</b>	2S	3S	4S	5S	6S	
Low voltage Cutoff Threshold	OFF	NIMH50%	NIMH60%	<b>*3.0V</b>	3.2V	3.4V	3.6V
Low Voltage Cutoff Type	<b>*Reduce Power</b>	Cut off Power					
SMR Function	<b>*5V</b>	6V					
Brake Type	<b>*Normal</b>	Soft					
Restore Factory Default Sets	Restore						

Note: " \* " value means default settings.

### Protection function

1. Start-up protection: If the motor fails to start normally within 2 seconds after pushing the throttle to start, the ESC will cut off the output power, and you need to make the throttle calibration again, then ESC can be restarted. Possible reasons: disconnection or poor connection between ESC and motor, the propeller or motor is blocked by other objects, the gearbox is damaged, etc.)
2. Over-heat protection: When the temperature of the ESC is over about 110°C, the ESC will automatically reduce the output power for protection, but will not fully shut down the power, reduce it to 70% of the full power at most to ensure the motor has enough power to avoid crashes.
3. Throttle signal loss protection: The ESC will reduce the output power if throttle signal is lost for 1 second, will cut off output to the motor if the throttle signal is lost over 2 seconds. If the throttle signal recovers during power down, the ESC will immediately resume throttle control. In this way, the ESC will not protect when the signal loss less than 2 seconds, only when the signal lost is over 2 seconds or longer time. And the ESC will reduce the output power gradually instead of cutting off it immediately, so the player has certain amount of time to save the plane, taking into account safety and practicality.
4. Over load protection: The ESC will cut off power or restart automatically when the load increased a lot suddenly, possible reason is the motor blocked.



## Brushless ESC Introduction

### Trouble shooting

Trouble	Possible Reason	Action
After powering up, ESC emits the sound of battery cells, but motor can't run.	ESC doesn't set throttle range.	Set throttle range again.
After powering up, motor doesn't run and doesn't emit any sound.	<ol style="list-style-type: none"> <li>1.Bad connection between ESC and battery.</li> <li>2.Bad soldering cause bad contact.</li> <li>3.Low voltage of the battery.</li> <li>4.Quality problem of ESC.</li> </ol>	<ol style="list-style-type: none"> <li>1.Clean the connectors or replace them, check the connection polarity.</li> <li>2.Solder the wires again.</li> <li>3.Check battery pack, use full-charged battery.</li> <li>4.Change ESC.</li> </ol>
Motor does n't work and no audible tone emitted after connecting the battery. Servos are not working either.	<ol style="list-style-type: none"> <li>1. Poor/loose Connection between battery Pack and ESC.</li> <li>2. No power.</li> <li>3. Poor soldered connections.</li> <li>4. Wrong battery cable polarity.</li> <li>5. ESC throttle cable connected to receiver in the reverse polarity.</li> </ol>	Check all the connections make sure you are doing it right.
Motor does not work but servos do.	<ol style="list-style-type: none"> <li>1.Poor/loose connection between ESC and motor.</li> <li>2. Burnt motor coils.</li> <li>3. The battery pack voltage exceeds the acceptable range.</li> <li>4. Throttle stick is not at the lowest position.</li> <li>5. The ESC throttle calibration has not set up.</li> </ol>	<ol style="list-style-type: none"> <li>1. Check all the connections make sure you are doing it right.</li> <li>2. Change a new motor.</li> <li>3. Solder the wires again.</li> <li>4. Check the battery pack, use full-charged battery.</li> <li>5. Set throttle range again.</li> </ol>
When the ESC is powered on, the motor does not work and an alarm sound (continuously beeping) will sound.	The throttle stick is not in the bottom position after power on.	Move the throttle stick to the bottom position.
Motor runs in reverse rotation.	Wrong cables polarity between the ESC and the motor.	Swap any two of the three cable connections between the ESC and the Motor or access the Motor Rotation function via the ESC programming mode and change the pre-set parameters.
Motor stops running in flight.	Lost throttle signal.	<p>Check proper operation of the radio equipment.</p> <p>Check the placement of the ESC and the Receiver and check the route of the receiver's aerial and ESC.</p>

## Warnhinweise



**WARNUNG:** Lesen Sie die GESAMTE Bedienungsanleitung, um sich vor der Inbetriebnahme mit den Funktionen des Produkts vertraut zu machen.

Wenn das Produkt nicht ordnungsgemäß bedient wird, kann dies zu Schäden am Produkt oder persönlichem Eigentum führen und schwere Verletzungen verursachen. Dieses Produkt ist kein Spielzeug! Es muss mit Vorsicht und gesundem Menschenverstand betrieben werden. Andernfalls kann es zu Verletzungen oder Schäden am Produkt oder anderen Sachwerten führen. Dieses Produkt ist nicht für den Betrieb durch Kinder ohne direkte Aufsicht von Erwachsenen vorgesehen.

Diese Anleitung enthält Hinweise zu Sicherheit und Wartung. Es ist wichtig, dass vor der Verwendung alle Anweisungen und Warnungen in der Anleitung gelesen und befolgt werden, um Schäden oder schwere Verletzungen zu vermeiden.

## Sicherheitsvorkehrungen

Als Benutzer dieses Produkts sind Sie allein dafür verantwortlich dieses Produkt so zu betreiben, dass weder Sie selbst noch andere gefährdet oder Schäden am Produkt oder Eigentum anderer verursacht werden.

Dieses Modell wird von einem Funksignal gesteuert, das von vielen Quellen außerhalb Ihrer Kontrolle gestört werden kann. Solche Störungen können zu einem vorübergehenden Kontrollverlust führen. Daher sollte immer einen Sicherheitsabstand zu Personen und Gebäuden eingehalten werden.

Altersempfehlung: Nicht für Kinder unter 14 Jahren. Dies ist kein Spielzeug.

- Betreiben Sie Ihr Modell niemals mit leeren Senderbatterien.
- Betreiben Sie Ihr Modell immer in einem offenen Bereich, abseits von Gebäuden, Verkehr oder Personen.
- Befolgen Sie die gesetzlichen Regelungen Ihres Landes zum Betrieb von ferngesteuerten Modellflugzeugen.
- Befolgen Sie sorgfältig die Anweisungen und Warnungen für dieses und alle unterstützenden Geräte, die Sie verwenden (Ladegeräte, wiederaufladbare Akkus usw.).
- Bewahren Sie alle Chemikalien, Kleinteile und elektrischen Geräte außerhalb der Reichweite von Kindern auf.
- Feuchtigkeit verursacht Schäden an der Elektronik. Vermeiden Sie, dass die Produkte Wasser ausgesetzt werden, die nicht speziell für diesen Zweck entworfen und geschützt sind.
- Nehmen Sie Teile des Produkts niemals in den Mund, da dies zu schweren Verletzungen oder sogar zum Tod führen kann.

## Hinweise zu LiPo-Akkus

**VORSICHT:** Befolgen Sie immer die Anweisungen des Herstellers zur sicheren Verwendung und Entsorgung von Batterien. Durch falsche Handhabung von Li-Po-Batterien können Feuer, Sachschäden oder schwere Verletzungen verursacht werden.

- Seien Sie sich über alle Risiken klar, die mit dem Umgang von Lithium Polymer (LiPo) Akkus verbunden sind. Wenn die Akkus zu irgendeinem Zeitpunkt anschwellen oder aufblähen, verwenden Sie diese auf keinen Fall mehr!
- Um die Lebensdauer des Akkus zu verlängern sollten dieser bei Zimmertemperatur in einem trockenen Bereich gelagert werden. Bewahren Sie den Akku oder das Modell nicht in einem Auto oder in direktem Sonnenlicht auf. Wenn der Akku über einen längeren Zeitraum zu hohen Temperaturen ausgesetzt wird kann dieser beschädigt werden oder sogar Feuer fangen.
- Verwenden Sie niemals ein NiMh-Ladegerät, um Li-Po-Akkus aufzuladen. Wenn der Akku nicht mit einem Li-Po-kompatiblen Ladegerät geladen wird, kann dies zu einem Brand führen, der zu Personen- und Sachschäden führen kann.
- Niemals Li-Po Zellen unter 3V entladen.
- Lassen Sie Akkus beim Laden niemals unbeaufsichtigt.
- Laden Sie niemals beschädigte Akkus auf.
- Aufladen des LiPo-Akkus: Verwenden Sie ein Ladegerät, das die Li-Po-Batterie sicher aufladen kann. Lesen Sie vor dem Gebrauch die Anweisungen des Ladegeräts sorgfältig durch. Achten Sie beim Laden des Akkus darauf, dass sich der Akku auf einer hitzebeständigen Oberfläche befindet. Es wird auch dringend empfohlen, den Li-Po Akku in einem feuerbeständigen LiPo-Koffer zu laden. LiPo Koffer finden Sie bei Ihrem Fachhändler oder im Internet.

## Einleitung

Der J-10-Kampffjet mit dem Spitznamen "Starker Drache" ist ein im Inland entwickeltes Hochleistungs-Mehrzweck- und Allwetter-Kampfflugzeug der dritten Generation. Es zeichnet sich durch hohe Zuverlässigkeit, Überlebensfähigkeit und Manövrierfähigkeit aus. Der J-10 verfügt über einen großen Kampfradius, kurze Start- und Landestrecken und die Gesamteffizienz im Kampf auf internationalem Spitzenniveau unter vergleichbaren Kampfflugzeugen.

Merkmale:

1. Die einzigartige Anordnung eines Deltaflügels mit Canards verleiht dem Flugzeug ausgezeichnete Steigraten und Steighöhen, die die Durchführung von Langsamflugmanövern mit hohem Winkel erleichtern. Darüber hinaus sind Deltaflügel, Canards und Seitenleitwerk mit eingebetteten Verstärkungsrippen verstärkt, was die strukturelle Integrität des Flugzeugs effektiv erhöht und den Hochgeschwindigkeitsflug erleichtert.
2. Ausgestattet mit einem 64mm 12-Blatt-Impeller, einem 2840 KV3150 Brushless-Motor und einem leistungsstarken 40A ESC, wird er mit handelsüblichen 4S 2200mAh-2600mAh 25c Akkus betrieben und reproduziert mühelos den aufregenden Sound eines Kampffjets.
3. Zu den originalgetreuen Details gehören unter anderem nicht funktionsfähige, abnehmbare Waffensätze (nur für die graue Lackierung der Luftwaffe), eine Luftbetankungssonde, die Cockpit-Innenausstattung, eine Pilotenfigur und fünf sehr helle Navigationslichter.
4. CNC-gefrästes Metallfahrwerk vorne mit eingebauter CNC-Metall-Stoßdämpfung, außen mit realistischen Kunststoffteilen.
5. EPO 40 Schaumstoff mit hoher Stoßdämpfung und Steifigkeit.
6. Vorbilgetreue Lackierung auf Wasserbasis, mit einem vollen und widerstandsfähigen Lackfilm, der Wasser- und Hitzebeständig ist und einen angenehmen Glanz aufweist.
7. Hoher Vorfertigungsgrad, das Modell kann von erfahrenen Piloten in ca. 30 Minuten flugfertig aufgebaut werden.
8. Optionale Farbschemen sind die "August 1st" Aerobatic Team und Air Force grau.

## Lieferumfang

Bitte überprüfen Sie vor der Endmontage ob alle Teile des Modells enthalten sind. Das folgende Bild zeigt den Inhalt des Kits. Sollten Teile fehlen notieren Sie sich bitte den Namen und die Teilenummer (siehe Ersatzteilliste am Ende dieser Bauanleitung) und kontaktieren Sie Ihren lokalen Händler oder senden Sie uns eine E-Mail an [info@d-power-modellbau.com](mailto:info@d-power-modellbau.com).

### J-10 Air Force grau Technische Daten

**Spannweite:** 690mm / 27.2 in

**Länge:** 1110mm / 43.7 in

**Fluggewicht:** ~ 1100g

**Motor:** 2840-KV3150

**Flächenbelastung:** 59.5g/dm<sup>2</sup> ( 0.12oz/in<sup>2</sup>)

**Flächeninhalt:** 18.5dm<sup>2</sup> (286.5 sq.in)

**Regler:** 40A

**EDF:** 64mm Ducted Fan 12-blade

**Servo:** 9g\*4pcs

**Empfohlener Akku:** 14.8V 2200mAh-2600mAh 25c

### J-10 "August 1st" Technische Daten

**Spannweite:** 690mm / 27.2 in

**Länge:** 1110mm / 43.7 in

**Fluggewicht:** ~ 1000g

**Motor:** 2840-KV3150

**Flächenbelastung:** 54g/dm<sup>2</sup> ( 0.11oz/in<sup>2</sup>)

**Flächeninhalt:** 18.5dm<sup>2</sup> (286.5 sq.in)

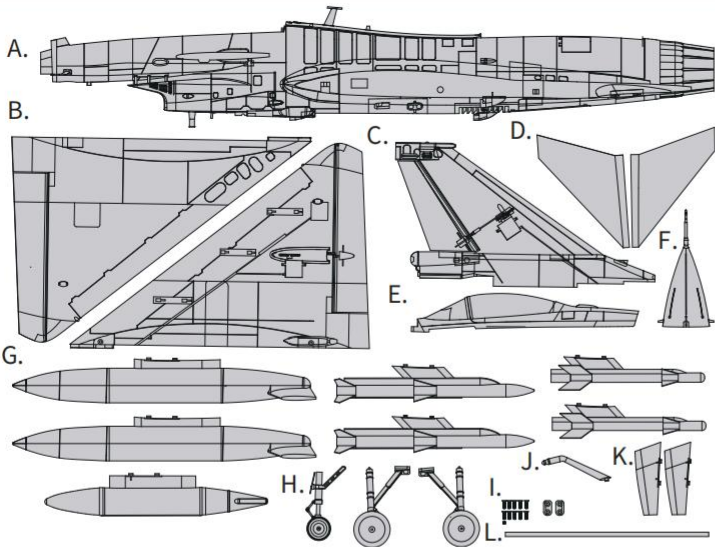
**Regler:** 40A

**EDF:** 64mm Ducted Fan 12-blade

**Servo:** 9g\*4pcs

**Empfohlener Akku:** 14.8V 2200mAh-2600mAh 25c

# Lieferumfang



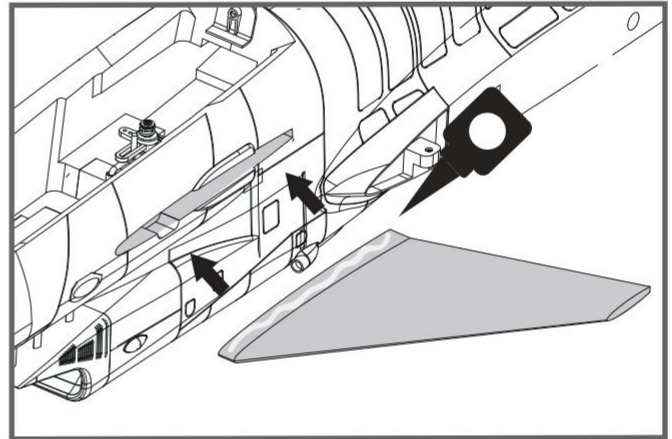
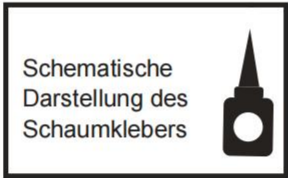
- A. Rumpf
- B. Tragflächen
- C. Seitenleitwerk
- D. Canard
- E. Cockpit
- F. Nase
- G. Raketen Set
- H. Flächenrohr
- I. Schrauben (HKM3.0x10\*10, 3x4mm Stellschraube\*1)
- J. Betankungssonde
- K. Bauchflossen

# Montage des Modells

## Montage der Canards

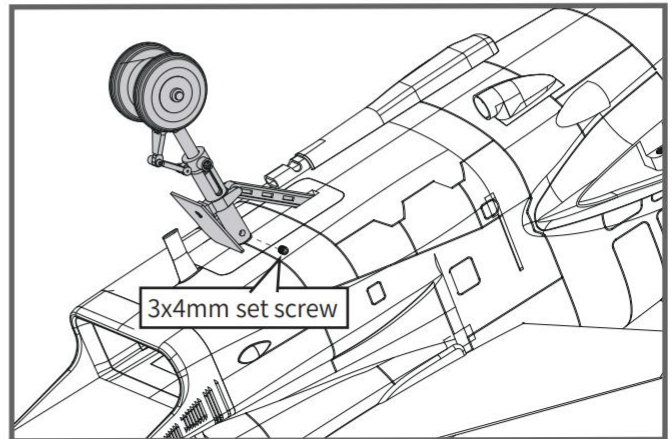
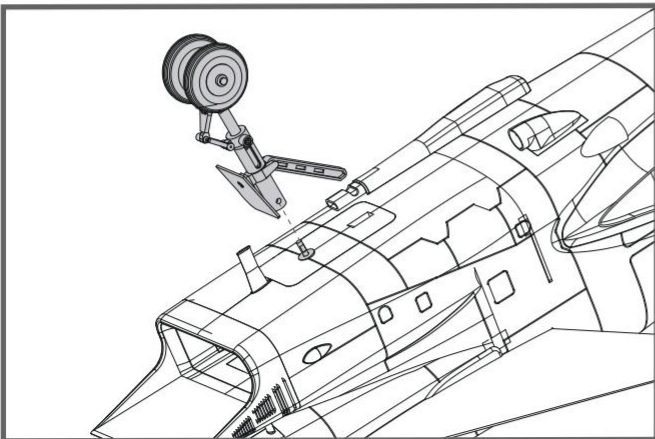
1. Tragen Sie Schaumstoffkleber auf den Rumpf und den Canard auf und kleben Sie den Canard an.

Hinweis: Die Canards müssen so eingeklebt werden, dass kein Winkel zwischen der linken und der rechten Seite entsteht.



## Montage des Bugfahrwerks

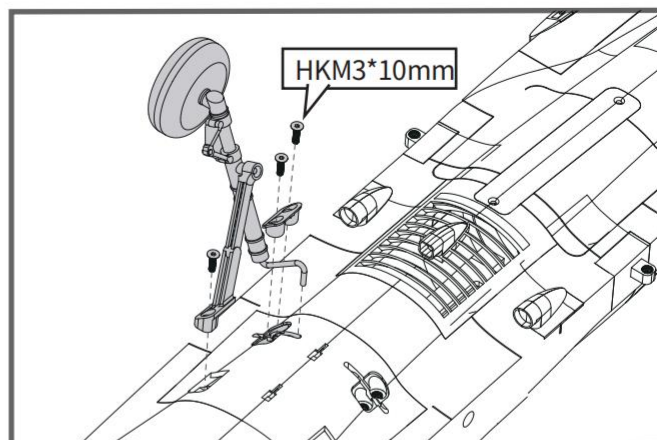
1. Befestigen Sie das Bugfahrwerk wie abgebildet an dem Draht an der Unterseite der Nase.
2. Befestigen Sie das Bugfahrwerk mit den mitgelieferten Schrauben.



## Montage des Modells

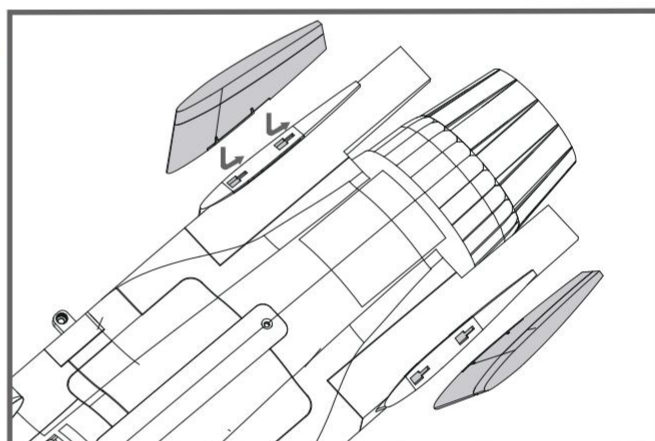
### Main landing gear installation

1. Montieren Sie das Hauptfahrwerk (links und rechts) wie abgebildet mit den mitgelieferten Schrauben und Abstandshaltern an der Rumpfunterseite. HKM3\*10 X 6).



### Ventral fin installation

1. Bringen Sie die Finnen wie in der Abbildung gezeigt in den Rumpfschlitz an, und schieben Sie sie nach hinten, um sie zu fixieren.

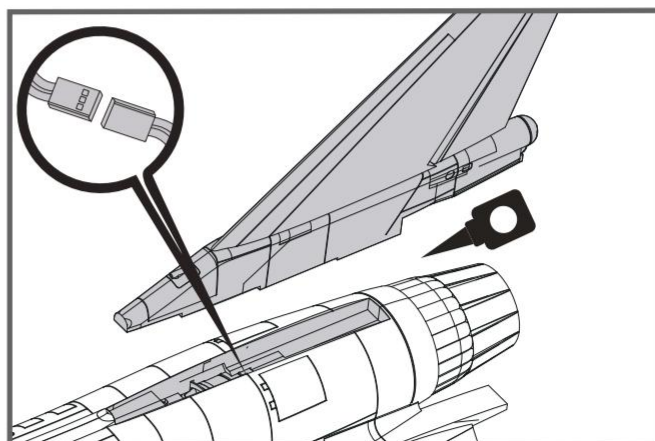


### Montage des Seitenleitwerks

1. Verbinden Sie das Seitenruderservokabel mit dem im Rumpf eingebetteten Servoverlängerungskabel wie abgebildet.  
2. Tragen Sie Schaumkleber auf die Verbindungsfläche von Rumpf und Seitenleitwerk auf und montieren Sie das Seitenleitwerk in den Rumpfschlitz.

Hinweis: Die Anschlüsse auf beiden Seiten sollten angebracht werden präzise und fest.

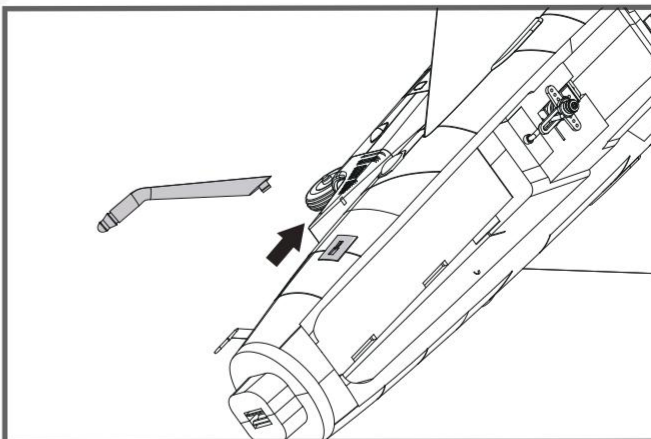
Schematische  
Darstellung des  
Schaumklebers



# Montage des Modells

## Montage der Betankungssonde

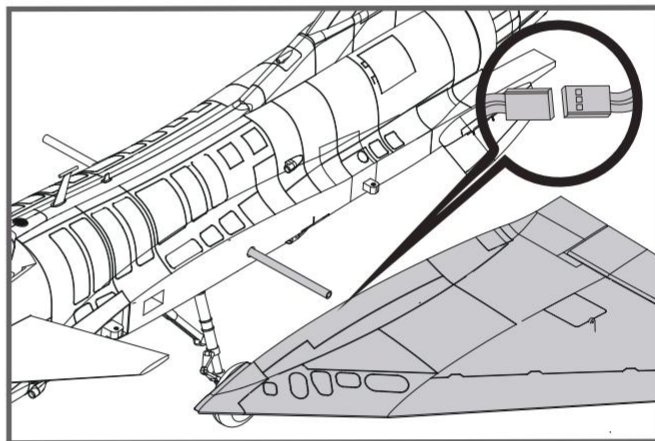
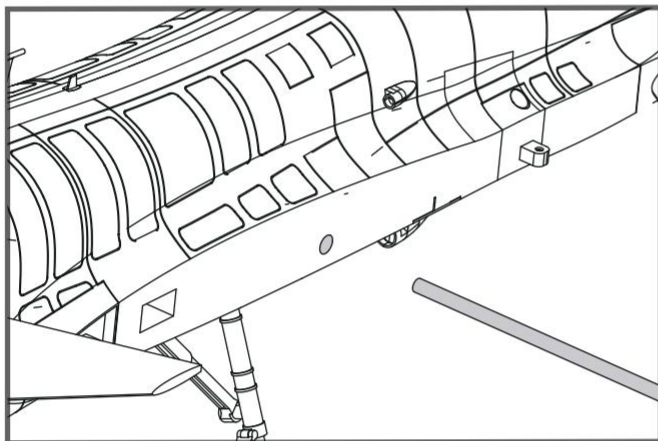
1. Befestigen Sie die Betankungssonde wie in der Abbildung gezeigt und schieben Sie sie dann zum hinteren Teil des Rumpfes, um sie zu befestigen.



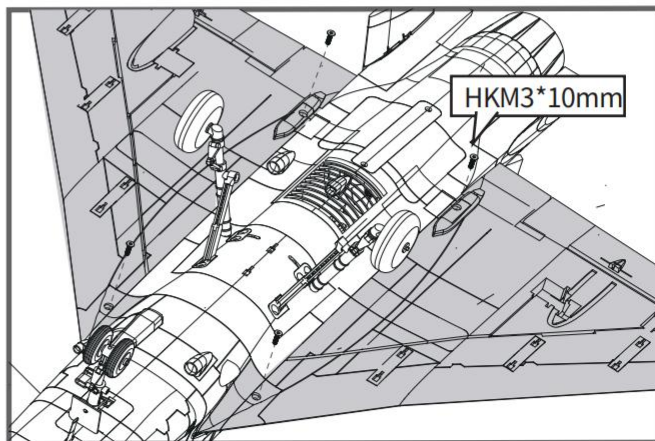
## Montage der Tragflächen

1. Stecken Sie das Flächenrohr in den entsprechenden Schlitz am Rumpf ein.  
 2. Richten Sie die Servostecker aus und verbinden Sie sie mit den Servoverlängerungen, die sich im Rumpf befinden. Montieren Sie die linke und rechte Tragfläche am Flächenrohr und schieben die die Flügel in der in der Abbildung gezeigten Richtung zum Rumpf Schlitz.

Hinweis: Die Anschlüsse auf beiden Seiten sollten angebracht werden präzise und fest.



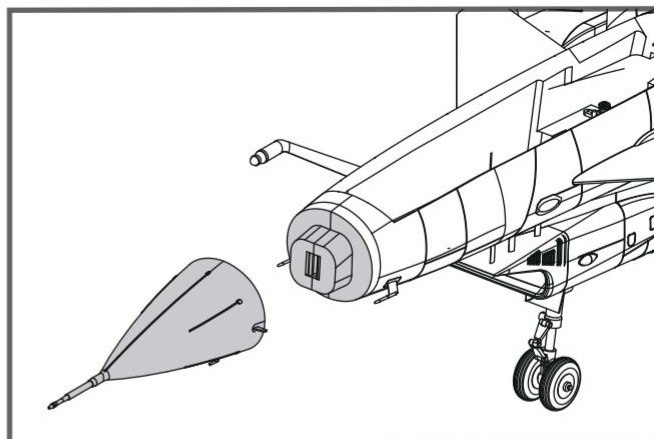
3. Sichern sie die Flächen wie abgebildet mit den Schrauben. (HKM3.0\*10mm x 4)



## Montage des Modells

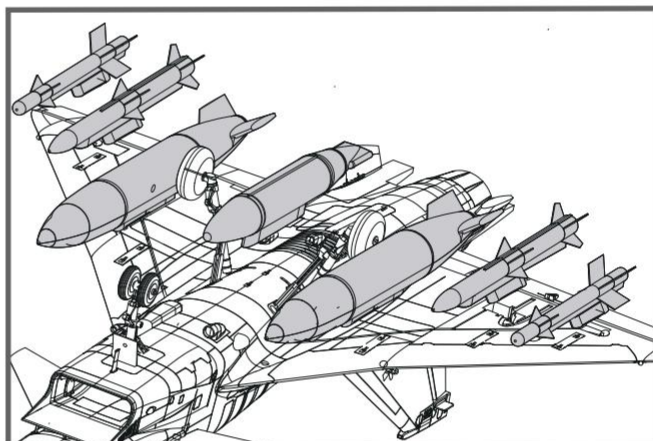
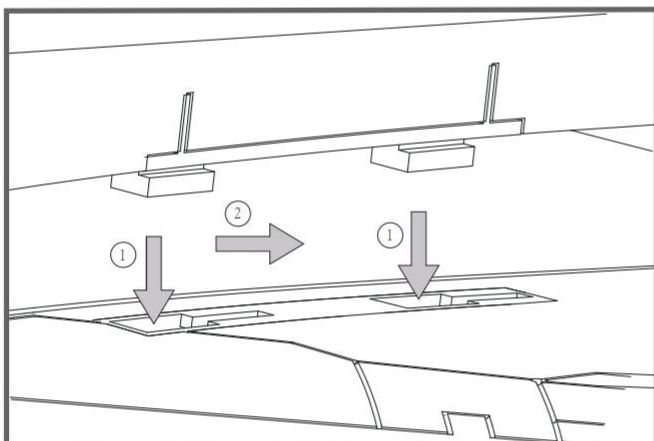
### Montage der Nase

1. die Nase an der Vorderseite des Rumpfes anbringen. Achten Sie darauf, dass die Nase in der richtigen Richtung eingebaut wird.



### Maßstabsgetreue Bewaffnung (nur Battelefield-Version)

1. Detaillierte schematische Darstellung der Installation der hängenden Raketen: Stecken Sie die hängenden Raketen in den Schlitz in Pfeilrichtung ① und dann in Richtung des Pfeil ②, bis die Schnalle fixiert ist.
2. Montieren Sie die Bewaffnung entsprechend der Abbildung. Schieben Sie sie zum hinteren Teil des Flugzeugs, um sie zu befestigen.

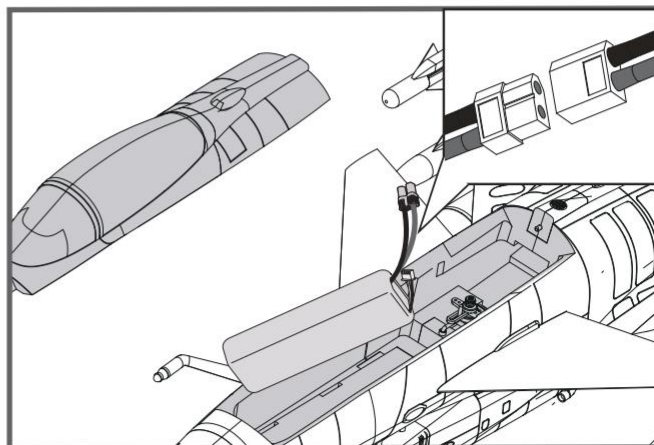


### Einstezen des Akkus

1. Nehmen Sie die Haube ab.
2. Befestigen Sie den Akku mit dem Klettband.
3. Schieben Sie den geladenen Akku mit den Kabeln nach hinten in bis ganz nach vorne im Akkufach.

Hinweis: Der Schwerpunkt des Modells kann durch verschieben des Akkus verändert werden. Der korrekte Schwerpunkt hat Auswirkungen auf die Flugperformance.

Taille du compartiment à piles: 160x55x42mm



## Anschließen an den Empfänger

Die Kabel von der Servosteckerleiste sollten in der dargestellten Reihenfolge an Ihren Empfänger angeschlossen werden. Beachten Sie, dass die LEDs von jedem freien Kanal des Empfängers gespeist werden können. Stecken Sie die Kabel in die Aussparung an der Rückseite der Batterieklappe.

**HINWEIS:** Bei Flugzeugen, die mit Wölbklappen ausgerüstet sind, schließen Sie bitte die Wölbklappenservos an CH6 an. Die LED-Leuchten können in jeden freien Kanal eingesteckt werden.

		Receiver
<b>Aileron</b>	<b>1</b>	<b>Channel-1</b> — Aile
<b>Elevator</b>	<b>2</b>	<b>Channel-2</b> — Elev
<b>Throttle</b>	<b>3</b>	<b>Channel-3</b> — Thro
<b>Rudder</b>	<b>4</b>	<b>Channel-4</b> — Rudd
<b>Gear</b>	<b>5</b>	<b>Channel-5</b> — Gear
<b>Flap</b>	<b>6</b>	<b>Channel-6</b> — Flap

## Flugvorbereitungen

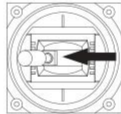
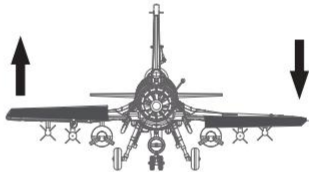
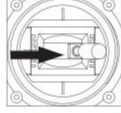
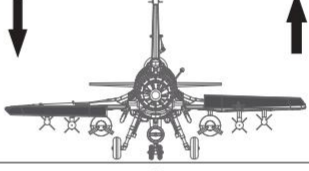
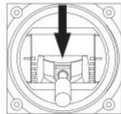
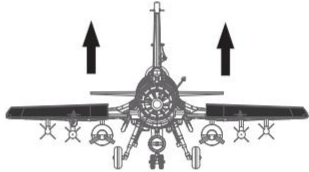
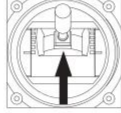
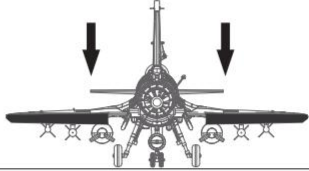
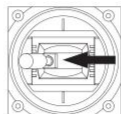
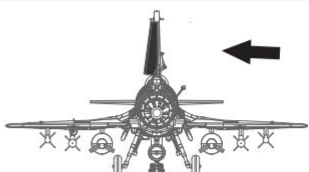
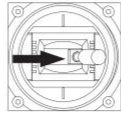
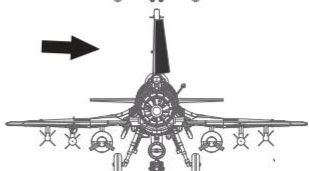
### Testen der Steuerfunktionen

Bevor Sie mit diesem Schritt beginnen, binden Sie bitte der Anleitung ihres Senders entsprechend den Empfänger mit dem Sender.

**ACHTUNG:** Um mögliche Verletzungen zu vermeiden darf der Propeller bei dem Testen der Ruder NICHT auf der Welle montiert sein. Armieren Sie den Regler NICHT und schalten auch nicht den Sender ein bevor es in der Anleitung des Senders vorgeben wird.

**TIPP:** Stellen Sie sicher, dass alle Steuerhebel auf dem Sender auf der neutralen Position sind und der Gashebel auf Motor aus. Stellen Sie sicher, dass beide Querruder den gleichen Weg im Verhältnis zum Steuerknüppelausschlag ausschlagen.

Bewegen Sie die Steuerhebel des Sender um sicher zu stellen, dass sich die Ruder korrekt bewegen. Sehen Sie dazu die Abbildungen unten. Sollten die Ruder in die falsche Richtung arbeiten reversieren Sie die Funktion. Lesen Sie dazu bitte in der Anleitung des Sender nach.

<p><b>Rollen links</b></p> 		<b>Querruder</b>
<p><b>Rollen rechts</b></p> 		
<p><b>Steigen</b></p> 		<b>Höhenruder</b>
<p><b>Sinken</b></p> 		
<p><b>Gieren links</b></p> 		<b>Seitenruder</b>
<p><b>Gieren rechts</b></p> 		



## Flugvorbereitungen

### Wichtige Informationen zum Regler

1. Der eingebaute Regler ist mit einer Sicherheitsschaltung versehen. Sollte der Akku angeschlossen sein und der Gashebel nicht auf niedrig / Motor aus stehen, wird der Motor nicht starten. Wird der Gashebel ganz nach unten bewegt erzeugt der Regler eine Tonserie. Töne in der gleichen Höhe geben die Anzahl der Zellen an die der Regler gezählt hat. Diese ist gleich mit der Zellenanzahl des Akkus. Der Regler ist jetzt scharf geschaltet und startet den Motor wenn der Gashebel bewegt wird.
2. Motor und Regler sind bereits verkabelt und auch die Drehrichtung des Motors sollte korrekt sein. Sollte der Motor in die falsche Richtung drehen, tauschen Sie zwei der drei Motoranschlusskabel um die Richtung wieder zu ändern.
3. Akkuauswahl und Einbau: Wir empfehlen einen Lipo Akku mit 14.8V 2200-2600mAh 25c. Sollten Sie einen anderen Akku verwenden muß dieser mindestens die gleichen Spezifikationen in Leistung und Abmessung aufweisen. damit der Schwerpunkt nicht wesentlich geändert wird.

### Ruderausschläge






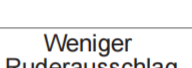


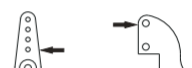



Die empfohlenen Ruderausschlag-Einstellungen sind (Dual Rate):

Tipp: Fliegen Sie das Modell beim ersten Flug mit "normalen Ausschlägen". Wenn Sie zum ersten Mal "maximale Ausschläge" verwenden, sollten Sie bei niedrigen bis mittleren Geschwindigkeiten fliegen.

	Maximale Ausschläge	Normale Ausschläge
Höhenruder	20mm oben / unten	18mm oben / unten
Querruder	12mm oben / unten	8mm oben / unten
Seitenruder	22mm links / rechts	18mm links / rechts

## Ruderhorn- und Servoarm-Einstellungen

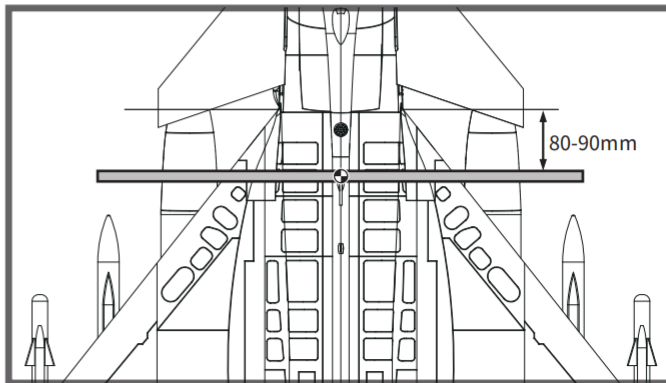
Die Tabelle zeigt die Werkseinstellungen für die Ruderhörner und Servoarme. Fliegen Sie das Flugzeug mit den Werkseinstellungen, bevor Sie Änderungen vornehmen. Nach dem Flug können Sie die Einstellungen nach Ihren Wünschen anpassen.

	Ruderhorn	Servoarm	Mehr Ruderausschlag
Höhenruder			
Seitenruder			
Quer- ruder			
			Weniger Ruderausschlag
			

## Einstellen des Schwerpunkts

Setzen Sie zum Ausbalancieren des Schwerpunktes den Antriebsakku ein. Richten Sie den Akku so aus, dass das Modell gerade oder mit der Nase leicht nach unten zeigt. Nach den ersten Flügen können Sie dann den Schwerpunkt nach ihren persönliche Vorlieben einrichten.

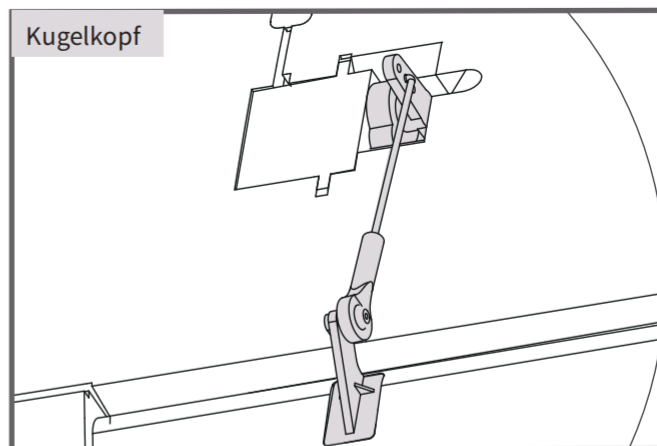
1. Der empfohlene Schwerpunkt für das Modell befindet sich mit eingesetztem Akku 80-90mm von der Tragflächen vorderkante nach hinten gemessen. Markieren Sie den Schwerpunkt auf der Tragflächenoberseite.
2. Balancieren Sie das Modell auf einer Schwerpunktwage aus. Bitte beachten Sie dass das Modell dabei flugfertig ausgerüstet sein muss.



## Montage der Anlenkungen

Vor der Montage von Haupttragfläche, Höhen- und Seitenleitwerk werden die Gestänge für Querruder, Wölbklappen, Höhenruder und Seitenruder eingebaut.

Stellen Sie sicher, dass die Servos in Neutralstellung sind. Befestigen Sie das Anlenkungsstangen für Querruder, Wölbklappen, Höhenruder und Seitenruder an den entsprechenden Löchern in den Querruder-, Wölbklappen-, Höhenruder- und Seitenruderanlenkgestänge von außen wie abgebildet. (Bitte beachten Sie die Abschnitte zur Einstellung der Ruderhörner und Servoarme in der Anleitung). Installieren Sie dann das andere Ende der Anlenkungsstangen am Kugelkopf am Ruderhorn.



## Vor dem Erstflug

### Finden Sie einen geeigneten Flugplatz

Finden Sie einen Flugplatz frei von Gebäuden, Bäumen, Stromleitungen und anderen Hindernissen. Bis Sie wissen, wie viel Fläche Sie zum fliegen brauchen, wählen Sie einen Platz der mindestens die Größe von 2 bis 3 Fussballfeldern hat. Wählen Sie am besten einen RC Flugplatz eines Modellflugvereins. Fliegen Sie dabei niemals in der Nähe von Menschen - besonders von Kindern, die unvorhersehbar handeln könnten.

### Führen Sie einen Reichweitentest für Ihr Modell durch

Als Vorsichtsmaßnahme sollte vor jedem Flug ein Reichweitentest durchgeführt werden, um Probleme zu erkennen, die zu einem Verlust der Kontrolle führen könnten (z.B. schwache Batterien, defekte oder beschädigte Fernsteuerungskomponenten, Funkstörungen). Dies erfordert einen Kollegen oder Assistenten. Schalten Sie zuerst den Sender ein und schließen Sie einen vollgeladenen Akku im Modell an. Achten Sie darauf dass sich der Gasknüppel in Neutralstellung befindet. Andernfalls könnten Propeller oder Lüfter Schäden oder Verletzungen verursachen.

Hinweis: Lesen Sie zum Reichweitentest auch die Bedienungsanleitung Ihrer Fernsteuerung.

### Überwachen Sie Ihre Flugzeit

Als Vorsichtsmaßnahme sollte vor jedem Flug ein Reichweitentest durchgeführt werden, um Probleme zu erkennen, die zu einem Verlust der Kontrolle führen könnten (z.B. schwache Batterien, defekte oder beschädigte Fernsteuerungskomponenten, Funkstörungen). Dies erfordert einen Kollegen oder Assistenten.

Schalten Sie zuerst den Sender ein und schließen Sie einen vollgeladenen Akku im Modell an. Achten Sie darauf dass sich der Gasknüppel in Neutralstellung befindet. Andernfalls könnten Propeller oder Lüfter Schäden oder Verletzungen verursachen.

## Fluggrundlagen

### Starten

Beschleunigen Sie das Modell vorsichtig und steuern Sie es langsam um es gerade zu halten. Erhöhen Sie die Beschleunigung und halten Sie eine gleichmäßige Geschwindigkeit um das Modell in einem schönen Anstellwinkel in die Luft steigen zu lassen.

### Fliegen

Wählen Sie immer einen weiten und offenen Platz um das Modell zu fliegen. Besuchen Sie einen RC Flugplatz eines Modellflugvereins. Fliegen Sie auf keinen Fall an Orten, an denen der Betrieb eines ferngesteuerten Flugzeugs nicht zulässig ist (Flughäfen, Naturschutzgebiete, Siedlungen, ...). Nach dem Start bringen Sie Ihr Modell auf eine sichere Flughöhe, bevor Sie Flugmanöver wie Rollen, Loops oder ähnliches ausprobieren.

## Fluggrundlagen

### Landen

Landen Sie das Modell, sobald Sie eine Leistungsreduzierung bemerken oder Ihr eingestellter Timer ertönt. Stellen Sie Ihren Timer so ein, dass Ihnen genug Flugzeit bleibt, um mehrere Landeanflüge zu haben. Ist das Modell mit einem Fahrwerk ausgestattet können Sie auf harten Pisten landen. Richten Sie das Modell direkt gegen den Wind aus und setzen Sie mit 1/4 bis 1/3 Gas zur Landung an. Bevor das Modell aufsetzt sollte der Gasknüppel in der 0-Stellung stehen um Schäden am Propeller oder anderen Komponenten zu vermeiden.

### Instandhaltung

Reparaturen am Schaummodell sollten mit schaumsicheren Klebstoffen wie Heißkleber, Sekundenkleber speziell für Schaumstoff oder 5.min Epoxy erfolgen. Wenn Teile nicht reparierbar sind finden Sie am Ende dieser Anleitung die Ersatzteilliste mit allen Bestellnummern. Überprüfen Sie vor und nach jedem Flug ob alle Schrauben am Modell festgezogen sind. Achten Sie insbesondere darauf, dass Spinner und Luftschraube vor jedem Flug fest sitzen und frei drehen.

## Problemlösungen

Problem	Mögliche Ursache	Lösung
Modell nimmt kein Gas an, andere Steuerungsbefehle funktionieren aber	-Regler reagiert nicht -Gaskanal ist umgekehrt	-Gasknüppel ist nicht ganz unten oder Trimmung zu hoch -Gaskanal am Sender umkehren
Ungewöhnliche Propellergeräusche oder Vibrationen	-Spinner, Propeller, Motor oder Motorhalterung defekt -Spinner oder Propeller lose -Propeller falsch herum montiert	-Defekte Teile austauschen -Lose Teile befestigen -Propeller richtig montieren
Zu kurze Flugdauer oder Antrieb ist nicht kraftvoll genug	- Flugakku ist zu leer - Propeller falsch herum montiert - Flugakku defekt	- Vollständiges Aufladen des Flugakkus - Flugakku ersetzen
Ruder bewegen sich nicht oder reagieren nur langsam auf Steuerbefehle	- Ruder, Ruderhörner, Anlenkung oder Servo beschädigt - Kabel beschädigt oder Servostecker lose	- Austauschen oder Reparieren der defekten Teile - Kabel und Stecker überprüfen
Ruder schlagen in die falsche Richtung aus	Kanäle auf dem Sender sind umgekehrt	Testen der Servowegeinstellungen und Konfiguration der Kanäle am Sender
- Motor verliert Leistung	- Motor oder Akku defekt - Stromzufuhr unterbrochen	- Akku, Empfänger, Regler, Motor und Verkabelung überprüfen (austauschen bei Defekt) - Modell unverzüglich landen und überprüfen
LED am Empfänger blinkt langsam	Empfänger hat keinen Strom	- Überprüfen der Verbindung zwischen Regler und Empfänger. - Servos auf Defekt überprüfen. - Überprüfen ob der Empfänger korrekt mit dem Sender gebunden ist

## Ersatzteilliste

FMSEU101GY	Rumpf	FMSEU119GY	Auspuffdüse
FMSEU102GY	Flächen Set	FMSEU120	Geschwindigkeitsmesser
FMSEU103GY	Canard	FMSDFX010	64mm Impellereinheit
FMSEU104GY	Seitenleitwerk	PRKVX3150	2840-KV3150 Motor
FMSEU105GY	Motorhaube	PRESC040	40A Regler
FMSEU106GY	Cockpit	FMSSER003	9g digitales MG-Servo positiv
FMSEU107GY	Raketen Set	FMSSER011	9g digitales MG-Servo 54°
FMSEU108	Anlenkungsstangen	FMSEU101BU	Rumpf
FMSEU109	Bug Fahrwerk	FMSEU102BU	Flächen Set
FMSEU110	Hauptfahrwerk	FMSEU103BU	Canard
FMSEU111	Flächenrohr	FMSEU104BU	Seitenleitwerk
FMSEU112GY	Aufkleber Set	FMSEU105BU	Motorhaube
FMSEU113	Schraubensatz	FMSEU106BU	Cockpit
FMSEU114GY	Steuerhörner	FMSEU107BU	Raketen Set
FMSEU115GY	Bauchflossen	FMSEU112BU	Aufkleber Set
FMSEU116	LED-Satz	FMSEU114BU	Steuerhörner
FMSEU117	Lampenabdeckung	FMSEU115BU	Bauchflossen
FMSEU118	Betankungssonde	FMSEU119BU	Auspuffdüse

**Visitez notre site internet pour voir les photos de ces produits : [www.fmshobby.com](http://www.fmshobby.com)**

**Saisissez le mot "ESC" dans la case de recherche pour obtenir le manuel d'utilisation du contrôleur.**

## Brushless ESC Introduction

### Wichtige Hinweise

1. ZTW ist nicht verantwortlich für die Verwendung dieses Produkts oder für Schäden oder Verletzungen, die Sie durch die Verwendung dieses Produkts verursachen oder erleiden könnten.
2. Stellen Sie die Sicherheit bei der Verwendung des Produkts immer in den Vordergrund.
3. Ein Elektromotor, der mit einem Akku und/oder einem Regler verbunden ist, kann unerwartet anlaufen und schwere Schäden verursachen und sollte daher immer mit Vorsicht verwendet werden.
4. Wir empfehlen Ihnen, immer den Propeller zu entfernen, wenn Sie an einem Modell arbeiten, an dem die Stromquelle angeschlossen ist.
5. Befolgen und beachten Sie beim Fliegen von RC-Flugzeugen alle örtlichen Gesetze und Verordnungen zum Modellflug.
6. Fliegen Sie niemals über andere Personen oder in der Nähe von Menschenmengen.

### Features

1. Verwendet leistungsstarke MOSFETs der nächsten Generation mit geringer Wärmesignatur, hoher Spitzenstromschwelle und Zuverlässigkeit.
2. Standardmäßig mit leistungsstarkem 32-Bit-Mikroprozessor ausgestattet. Stärkere Rechenleistung und schnellere Verarbeitungsraten.
3. Super sanftes Anfahren und Drosseln über den gesamten Leistungsbereich.
4. Höhere Fahreffizienz und mehr Energieeinsparung.
5. Einstellbare SBEC-Ausgangsspannung, 5V/6V. (40A/50A/60A/80A/100A haben SBEC einstellbar)
6. Mehrere Schutzprotokolle: Anlauf, Überhitzung, Unterspannungsabschaltung, Signalverlust, Phasenverlust usw.
7. Unterstützt eine breite Palette von Motoren mit hohen Drehzahlen, wie sie auf dem heutigen Markt üblich sind.
8. Vollständig programmierbar über optionale ZTW-Mobil-App oder ZTW-LCD-Programmierskarte.

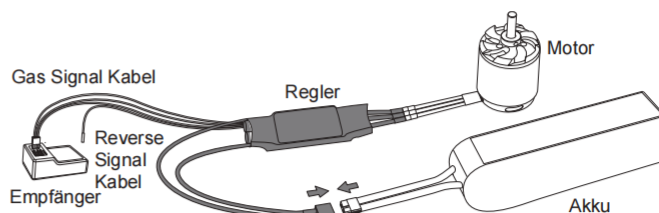
### Specification

Typ	Artikel.-Nr.	Strom dauer / kurzzeitig	Akku NiXX / LiPo	Gewicht (g)	BEC	Abmessungen LxBxH	programmierbar
AVICON 20A	3020211	20A/30A	5-12NC/2-4Lipo	25	5.5V/4A	60*25*10	Yes
AVICON 30A	3030211	30A/40A	5-12NC/2-4Lipo	25	5.5V/4A	60*25*10	Yes
AVICON 40A	3040211	40A/55A	5-12NC/2-4Lipo	37	5V/6V 4A	68*25*10	Yes
AVICON 50A	3050211	50A/65A	5-12NC/2-4Lipo	37	5V/6V 4A	68*25*10	Yes
AVICON 60A	3060211	60A/80A	5-18NC/2-6Lipo	50	5V/6V 8A	70*34*10	Yes
AVICON 80A	3080211	80A/100A	5-18NC/2-6Lipo	75	5V/6V 8A	90*37*10	Yes
AVICON 100A	30100211	100A/120A	5-18NC/2-6Lipo	80	5V/6V 8A	90*37*10	Yes

#### Kabel Anschluss:

Der Drehzahlregler kann direkt oder mit hochwertigen Steckern an den Motor angeschlossen werden. Verwenden Sie immer neue, die sorgfältig mit den Kabeln verlötet und mit Schrumpfschlauch isoliert werden sollten. Die maximale Länge der Kabel des Akkupacks darf nicht länger als 15cm sein.

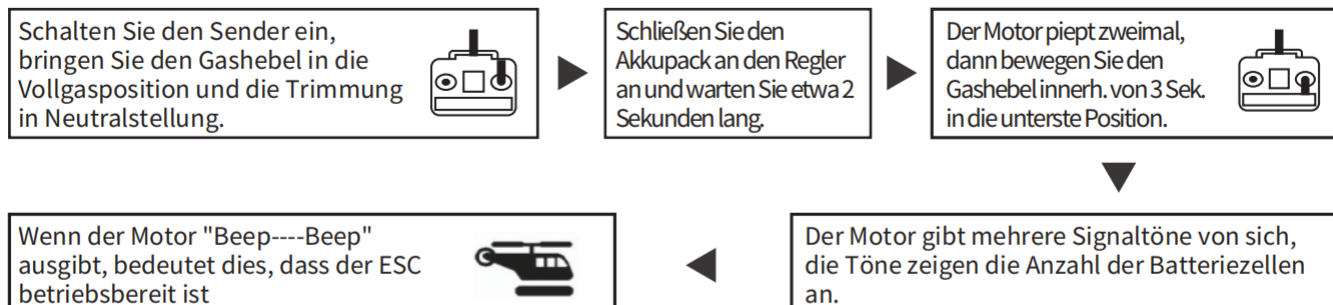
1. Löten Sie den Regler an die Motorkabel oder versehen diesen mit Steckern.
2. Löten Sie geeignete Steckverbinder an die Akkukabel.
3. Alle Lötverbindungen mit Schrumpfschläuchen isolieren.
4. Stecken Sie den "JR"-Stecker in den Gaskanal des Empfängers.
5. Die roten und schwarzen Kabel des Reglers werden mit den roten bzw. schwarzen Kabeln des Akkupacks verbunden.



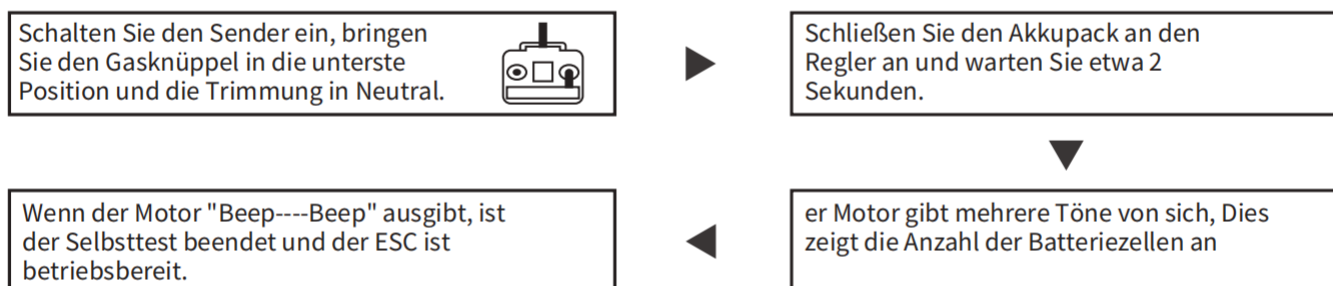
## Brushless ESC Introduction

### GASKALIBRIERUNG

(Important: Please make the throttle calibration for the first time using ESC!!!)



### NORMALER STARTVORGANG



### PROGRAMMIERUNGSTECHNIKEN (Die fettgedruckte Option ist die Standardeinstellung)

1. SMR Funktion: AUS/EIN - Diese Funktion unterstützt das Umschalten der Motordrehrichtung zur Verlangsamung, wenn das Flugzeug auf dem Boden landet. Die Werkseinstellung ist AUS, der 1Pin-Signaldraht ist zu diesem Zeitpunkt völlig uninteressant.

Wenn Sie die Funktion einschalten möchten, verwenden Sie den Sender, um sie auf "EIN" zu programmieren. Schließen Sie das 3-polige Signalkabel an den Gaskanal an, und stecken Sie das 1-polige Signalkabel in einen beliebigen 2-Stufen-Schalterkanal des Empfängers und schalten Sie dann den 2-Stufen-Schalter des Senders ein. Die SMR Funktion ist nun eingeschaltet, Sie können die Vorwärts- und Rückwärtsrichtung des Motors durch Umlegen des 2-Stufen-Schalters wechseln.

Warnung: Diese Funktion ist nur aktiv, wenn das Gas unter 50% steht, und sie darf nur verwendet werden wenn das Flugzeug auf dem Boden landet, andernfalls kann es zum Durchbrennen des Reglers kommen!

2. Bremse Typ: Aus/Weich/Mittel/Hart

3. Timing: Auto/Niedrig/Mittel/Hoch (5°/15°/25°)

4. Motor-Drehung: CW/CCW

5. SR-Funktion: EIN/AUS - Die Synchrongleichrichtungsfunktion macht den ESC energisparender durch Stromrückgewinnung.

6. Akkuzellen: Auto/2S/3S/4S/5S/6S

7. Schwellenwert für die Unterspannungsabschaltung: OFF/NIMH50%/NIMH60%/3.0V/3.2V/3.4V/3.6V

Beispiel: Bei Verwendung von 3 Lithiumbatterien und der Einstellung von 3,0 V als Grenzwert für die Unterspannung, beträgt der Grenzwert für den Unterspannungsschutz:  $3 \times 3.0 = 9.0V$

8. Typ der Unterspannungsabschaltung: Leistung reduzieren/Leistung abschalten

Reduzierte Leistung: Wenn die Spannung auf den eingestellten Schwellenwert für den Unterspannungsschutz abfällt, reduziert der ESC die Leistung auf 70%.

Abgeschaltete Leistung: Wenn die Spannung auf den eingestellten Schwellenwert für den Unterspannungsschutz abfällt, schaltet der ESC die Leistung sofort ab.

9. 40A, 50A, 60A, 80A, 100A ESCs haben einstellbare SBEC 5V/6V, die Standardeinstellung ist 5.0V.

10: Anlaufverhalten Normal/Weich

## Brushless ESC Introduction

### ZUGANG ZUM PROGRAMMIERMODUS

Demontieren Sie für die Programmierung die Luftschraube!

1. Schalten Sie den Sender, mit dem Gasknüppel in der obersten Position und der Trimmung auf Neutral, ein.
2. Schließen Sie den Akkupack an den Regler an.
3. Warten Sie 2 Sekunden, der Motor gibt einen speziellen Ton ab, wie z.B. "piep-piep-piep".
4. Warten Sie weitere 3 Sek., der Motor gibt einen speziellen Ton wie "123" ab, was bedeutet, der Programmmodus ist aktiv.

### PROGRAMMIERBARE PUNKTE

Nach dem Aufrufen des Programmmodus hören Sie 11 Töne in einer Schleife mit der folgenden Reihenfolge

Töne	Programmierbare Punkte	
1). "beep"	SMR-Funktion	(1 kurzer Ton)
2). "beep.beep"	Bremse Typ	(2 kurzer Ton)
3). "beep.beep.beep"	Motor-Timing	(3 kurzer Ton)
4). "beep.beep.beep.beep"	Motordrehung	(4 kurzer Ton)
5). "beep- -"	SR-Funktion	(1 langer Ton)
6). "beep- -.beep"	Batteriezellen	(1 lang 1 kurz)
7). "beep- -.beep.beep"	Schwelle für die Unterspannungsabschaltung	(1 lang 2 kurz)
8). "beep- -.beep.beep.beep"	Typ der Unterspannungsabschaltung	(1 lang 3 kurz)
9). "beep- -.beep.beep.beep.beep"	BEC-Spannung	(1 lang 4 kurz)
10). "beep- -beep- -"	Beschleunigung	(2 lange Töne)
11). "beep- -beep- -.beep"	Werkseinstellungen wiederherstellen	(2 lang 1 kurz)

Ende: 1 long" beep- -" = 5 short" beep"

### EINSTELLUNGSWERT

Wenn Sie den Gashebel innerhalb von 2 Sekunden nach einem der folgenden Töne in die untere Position bringen, wird dieser Punkt ausgewählt. Nachdem die programmierbare Option ausgewählt ist, hören Sie mehrere Töne in einer Schleife. Sie folgt auf jeder programmierbaren Option. Stellen Sie die Funktion ein, indem Sie den Gasknüppel in die oberste Position bringen, wenn Sie den Ton hören, dann gibt der Motor einen speziellen Ton aus, z.B. "123" bedeutet, dass dieser Wert eingestellt und gespeichert ist.

Zum Beispiel: Wenn Sie die Motordrehung einstellen möchten und Sie vier kurze "Beep"-Töne hören, bewegen Sie den Gashebel innerhalb von 2 Sekunden in die untere Position. So gelangen Sie in das Menü für die Motordrehung. Ein kurzer "Piep"-Ton bedeutet Vorwärtsrichtung (CW), zwei kurze "Beep"-Töne bedeuten die Rückwärtsrichtung (CCW). Wenn Sie die Rückwärtsrichtung (CCW) einstellen möchten, bewegen Sie den Gashebel in die obere Position, wenn Sie die zwei kurzen Töne des "Beep" hören. Dann hören Sie einen speziellen Bestätigungston wie "123", was bedeutet die "CCW" ist eingestellt und gespeichert.

Wenn Sie den Gasknüppel oben halten, kehren Sie in den Programmiermodus zurück und können weitere Optionen auswählen; oder

Sie bewegen den Knüppel innerhalb von 2 Sekunden nach unten, um den Programmiermodus direkt zu verlassen.

## Brushless ESC Introduction

### REFERENZTABELLE DER PROGRAMMIERTÖNE

Items \ Tones	"beep"	"beep.beep"	"beep.beep .beep"	"beep.beep .beep.beep"	"beep- -"	"beep- - beep"	"beep- - beep.beep"
	1 kurzer	2 kurzer	3 kurzer	4 kurzer	1 lang	1 lang 1 kurz	1 lang 2 kurz
SMR	<b>Aus*</b>	An					
Typ Bremse	<b>Aus*</b>	Soft	Nromal	Hart			
Timing	<b>*Auto</b>	Niedrig	Mittel	Hoch			
Drehrichtung	<b>*CW</b>	CCW					
SR	An	<b>Aus*</b>					
Zellenzahl	<b>*Auto</b>	2S	3S	4S	5S	6S	
Unterspannungs abschaltungswert	Aus	NImH 50%	NImH 60%	<b>*3.0V</b>	3.2V	3.4V	3.6V
Unterspannung abschaltungart	<b>Drehz verringern*</b>	Abschalten					
BEC Spannung	<b>*5V</b>	6V					
Anlaufverhalten	<b>Normal*</b>	Weich					
Werkseinstellung	Wiederherstellen						

**Hinweis:** Der Wert " \* " bedeutet Standardeinstellungen

### SICHERHEITSFUNKTION

1. Anlaufschutz: Wenn der Motor nicht innerhalb von 2 Sekunden nach dem betätigen des Gashebels zum Starten normal anläuft, schaltet der ESC ab. Sie müssen dann die Gaskalibrierung erneut durchführen, dann kann der Regler neu gestartet werden. Mögliche Gründe: Unterbrechung der Verbindung oder schlechte Verbindung zwischen ESC und Motor, der Propeller oder der Motor ist durch andere Gegenstände blockiert, das Getriebe ist beschädigt, usw.)
2. Überhitzungsschutz: Wenn die Temperatur des Reglers über 110° steigt, reduziert der Regler automatisch die Ausgangsleistung, schaltet sie aber nicht vollständig ab, sondern reduziert sie auf maximal 70 % der vollen Leistung, um sicherzustellen, dass der Motor genug Leistung hat, um Abstürze zu vermeiden.
3. Schutz vor Gassignalverlust: Der ESC reduziert die Ausgangsleistung, wenn das Gassignal für 1 Sekunde unterbrochen wird. Der Motor schaltet ab, wenn das Gassignal für mehr als 2 Sekunden ausfällt. Wenn das Gassignal während der Abschaltung wiederkehrt, nimmt der ESC sofort die Gassteuerung wieder auf. Auf diese Weise schützt der Regler nicht, wenn der Signalverlust weniger als 2 Sekunden beträgt, sondern nur, wenn der Signalverlust über 2 Sekunden oder länger ist. Außerdem reduziert der ESC die Ausgangsleistung schrittweise, anstatt sie sofort abzuschalten, so dass der Pilot eine gewisse Zeit hat, um das Flugzeug zu retten, unter Berücksichtigung der Sicherheit und Praktikabilität.
4. Überlastungsschutz: Der ESC schaltet die Leistung ab oder startet automatisch neu, wenn die Last plötzlich stark ansteigt. Ein möglicher Grund ist ein blockierter Motor



## Brushless ESC Introduction

### PROBLEMLÖSUNG

Problem	Mögliche Ursache	Maßnahmen
Nach dem Einschalten gibt der ESC die Zellenzahl der Batterie an, aber der Motor läuft nicht an.	Der ESC stellt den Gasbereich nicht ein.	Stellen Sie den Gasbereich erneut ein.
Nach dem Einschalten läuft der Motor nicht und gibt auch kein Geräusch ab.	<ol style="list-style-type: none"> <li>1. schlechte Verbindung zwischen ESC und Akku.</li> <li>2. schlechte Lötung verursacht schlechten Kontakt.</li> <li>3. niedrige Spannung des Akkus.</li> <li>4. Problem des ESC.</li> </ol>	<ol style="list-style-type: none"> <li>1) reinigen Sie die Stecker oder tauschen Sie sie aus, prüfen Sie die Anschlusspolarität.</li> <li>2) Löten Sie die Drähte neu.</li> <li>3) den Akku prüfen, voll aufgeladenen Akku verwenden.</li> <li>4) den Regler austauschen.</li> </ol>
Der Motor funktioniert nicht und kein hörbarer Ton ertönt nach dem Anschließen der Batterie. Die Servos funktionieren auch nicht.	<ol style="list-style-type: none"> <li>1. Schlechte/lockere Verbindung zwischen Akku Pack und ESC.</li> <li>2. Kein Strom</li> <li>3. Schlechte Lötverbindungen</li> <li>4. Falsche Polung des Batteriekabels</li> <li>5. Gaskabel des Reglers am Empfänger in umgekehrter Polarität angeschlossen</li> </ol>	Überprüfen Sie alle Verbindungen, um sicherzustellen, dass Sie korrekt sind.
Der Motor funktioniert nicht, aber Servos funktionieren.	<ol style="list-style-type: none"> <li>1. Schlechte / lose Verbindung zwischen ESC und Motor</li> <li>2. Verbrannte Motorspulen</li> <li>3. Die Spannung des Akkupacks überschreitet den akzeptablen Bereich.</li> <li>4. Der Gasknüppel/Trimmung steht nicht in der untersten Position.</li> <li>5. Die ESC-Gaskalibrierung hat sich nicht eingestellt.</li> </ol>	<ol style="list-style-type: none"> <li>1. Überprüfen Sie alle Anschlüsse, um sicherzustellen, dass Sie korrekt sind.</li> <li>2. Tauschen Sie den Motor aus.</li> <li>3. Löten Sie die Drähte neu.</li> <li>4. Überprüfen Sie den Akku, verwenden Sie einen voll aufgeladenen Akku.</li> <li>5. Stellen Sie den Gasbereich neu ein</li> </ol>
Wenn der ESC eingeschaltet ist, funktioniert der Motor nicht und ein Alarmton (kontinuierliches Piepen) ertönt.	Der Gasknüppel/Trimmung ist nach dem Einschalten nicht in der unteren Position.	Bringen Sie den Gasknüppel/Trimmung in die unterste Position.
Motor läuft in umgekehrter Drehrichtung.	Falsche Kabelpolarität zwischen dem ESC und dem Motor.	Tauschen Sie zwei beliebige der drei Kabelverbindungen zwischen dem ESC und dem Motor.
Motor läuft nicht mehr im Flug.	Gassignal verloren Prüfen Sie den ordnungsgemäßen Betrieb der Funkausrüstung.	Überprüfen Sie die Platzierung des Reglers und des Empfängers. Prüfen Sie den Verlauf der Antenne des Empfängers.

**ATTENTION**

**ATTENTION** : Lisez intégralement ce manuel d'utilisation pour vous familiariser avec les caractéristiques de ce produit avant de l'utiliser. Ne pas utiliser correctement ce produit peut entraîner des dommages au produit, aux biens matériels et causer des blessures graves.

Il s'agit d'un produit de loisir technique, sophistiqué, et non d'un jouet. Il doit être utilisé avec précaution et bon sens, et requiert quelques connaissances de base en mécanique. Ne pas utiliser ce produit en sécurité et de manière responsable peut entraîner des blessures ou des dégâts au produit et envers des tiers. Ce produit n'est pas prévu pour une utilisation par des enfants sans la surveillance directe par un adulte.

Ce manuel contient des instructions concernant la sécurité, l'utilisation et l'entretien. Il est essentiel de lire et de suivre toutes les instructions et de respecter les avertissements de ce manuel avant de monter, de régler ou d'utiliser le produit, de façon à l'exploiter correctement et éviter les dégâts ou blessures graves.

**Consignes de sécurité et avertissements**

En tant qu'utilisateur de ce produit, vous êtes seul responsable de son utilisation, de manière à ne pas vous mettre en danger, et à ne pas mettre les autres en danger, et à ne pas endommager ce produit ou causer de dégâts à des tiers. Ce modèle est piloté par un signal radio qui peut être soumis à des interférences provenant de sources variées que vous ne contrôlez pas. Ces interférences peuvent causer une perte momentanée de contrôle, aussi est-il prudent de toujours garder une distance de sécurité dans toutes les directions, autour de votre modèle, cette marge vous aidant à éviter les collisions ou les blessures.

**Âge recommandé** : Ce produit ne doit pas être utilisé par des enfants de moins de 14 ans. Ce n'est pas un jouet.

- N'utilisez jamais votre modèle avec des piles faibles dans l'émetteur.
- Utilisez toujours votre modèle dans un espace vaste, sans véhicules, sans circulation et sans personnes.
- N'utilisez pas le modèle dans les rues, où vous pourriez occasionner des blessures ou des dégâts.
- N'utilisez jamais le modèle pour quelque raison que ce soit dans la rue ou dans des zones peuplées.
- Suivez soigneusement les instructions et les conseils de ce manuel et ceux des équipements optionnels (chargeurs, accus rechargeables, etc.).
- Tenez tous les produits chimiques, les petites pièces et tout composant électrique hors de portée des enfants.
- L'humidité peut causer des dégâts à l'électronique. Évitez d'exposer à l'eau les équipements non conçus spécialement à cet effet et spécialement protégés.
- Ne léchez pas, et ne placez aucune partie du modèle dans votre bouche, car cela peut entraîner des blessures graves et même la mort.

**Avertissement concernant les accus Lithium Polymère (LiPo)**

**Attention** : Suivez toujours les instructions du fabricant pour utiliser les accus et vous en débarrasser. Un mauvais usage d'accus LiPo peut entraîner un incendie, des dégâts matériels ou des blessures graves.

En manipulant, chargeant ou utilisant des accus LiPo, vous assumez tous les risques associés aux accus au Lithium.

- Si à n'importe quel moment, l'accu commence à gonfler, arrêtez immédiatement de l'utiliser !
- Charger ou décharger un accu gonflé peut entraîner un incendie.
- Stockez toujours les accus à température ambiante dans un espace sec pour augmenter la durée de vie de l'accu. Transportez ou stockez toujours les accus dans une plage de températures de 5 à 48 °C. Ne stockez pas les accus ou le modèle dans une voiture ou directement à la chaleur du soleil. Un accu stocké dans une voiture chaude peut être endommagé et éventuellement prendre feu.
- N'utilisez jamais un chargeur pour accus NiMH. Ne pas charger avec un chargeur compatible LiPo peut entraîner un incendie, entraînant des blessures et des dégâts matériels.
- Ne déchargez jamais les éléments LiPo à moins de 3 V par élément.
- Ne laissez jamais une charge se faire sans surveillance.
- Ne chargez jamais un accu endommagé.
- Vous devez charger les accus LiPo uniquement avec un chargeur spécial LiPo. Lisez bien les instructions de votre chargeur avant usage. Quand vous chargez l'accu, vérifiez que l'accu est sur une surface ininflammable. Il est également conseillé de placer les accus LiPo dans un sac résistant au feu que vous trouverez facilement dans les magasins de modélisme ou sur les boutiques en ligne.

## Introduction

### Contexte

Le chasseur à réaction J-10, surnommé « Vigorous Dragon » (Dragon Vigoureux), est un avion de chasse de troisième génération, multirôle, tout-temps, à hautes performances et développé localement. Il met en avant une grande fiabilité, une forte capacité de survie, une haute manœuvrabilité, avec un grand rayon d'action, des longueurs de décollage et d'atterrissage réduites, de fortes capacités d'attaque et une efficacité globale en combat du niveau le plus avancé par rapport aux autres jets comparables au plan international.

### Spécificités :

1. La configuration unique d'une aile delta avec des plans canards offre un avion avec d'excellents taux de montée et plafond de vol, permettant facilement des manœuvres à basse vitesse et sous fort angle d'incidence. De plus, l'aile delta, les plans canards et la dérive sont renforcés par des nervures renforcées intégrées, augmentant l'intégrité structurelle de l'avion et facilitant le vol à haute vitesse.
2. Équipé d'une turbine à 12 pales de 64 mm et d'un moteur brushless 2840 Kv 3150 et d'un contrôleur 40 A à hautes performances, il sera doté de batteries courantes LiPo 4S de 2200 à 2600 mAh, et reproduira le mieux possible le son d'un véritable jet.
3. Des détails finement reproduits ne se limitent pas au jeu d'armements amovibles (uniquement sur la version Air Force grise), à la perche de ravitaillement en vol, à l'aménagement de la cabine et au pilote, et aux cinq feux de navigation à haute intensité.
4. Le train avant en métal usiné CNC possède un amortisseur également métallique, et est habillé de pièces réalistes en plastique.
5. Cellule en mousse EPO 40 à forte rigidité et absorption des chocs.
6. Finition par peinture à base aqueuse, avec film complet et épais de peinture résistant à l'eau, à la chaleur à la finition brillante très agréable.
7. Structure au montage simplifié, les modélistes expérimentés peuvent le terminer et faire les essais avant le premier vol en à peine 30 minutes.
8. Choix entre un décor de l'équipe de voltige « 1st August » et celui en gris Air Force.

## Contenu du kit

Avant le montage, merci de contrôler le contenu du kit. Le schéma ci-dessous détaille le contenu du kit et la numérotation. Si quelque élément est manquant ou défectueux, identifiez le nom ou le numéro de la pièce, puis contactez votre magasin local ou contactez-nous : [support@fmsmodel.com](mailto:support@fmsmodel.com)

### J-10 gris Air Force Caractéristiques

**Envergure** : 690mm /27.2in

**Longueur hors tout** : 1110mm /43.7in

**Poids en ordre de vol** : ~ 1100g

**Format du moteur** : 2840-KV3150

**Charge alaire** : 59.5g/dm<sup>2</sup> (0.12oz/in<sup>2</sup>)

**Surface alaire** : 18.5dm<sup>2</sup> (286.5sq.in)

**Contrôleur brushless** : 40A

EDF:64mm Ducted Fan 12-blade

**Servos** : 9gX4

Batterie recommandée: 14.8V 2200-2600mAh 25c

### J-10 « 1st August » Caractéristiques

**Envergure** : 690mm /27.2in

**Longueur hors tout** : 1110mm /43.7in

**Poids en ordre de vol** : ~ 1000g

**Format du moteur** : 2840-KV3150

**Charge alaire** : 54g/dm<sup>2</sup> (0.11oz/in<sup>2</sup>)

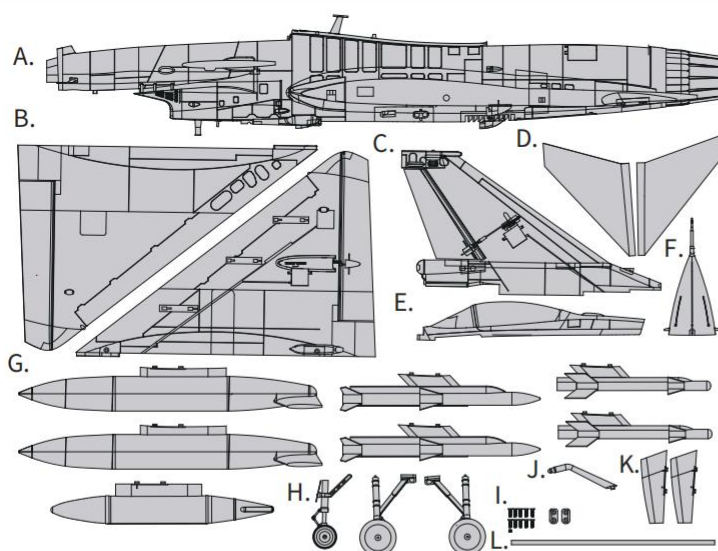
**Surface alaire** : 18.5dm<sup>2</sup> (286.5sq.in)

**Contrôleur brushless** : 40A

EDF:64mm Ducted Fan 12-blade

**Servos** : 9gX4

Batterie recommandée: 14.8V 2200-2600mAh 25c



- A. Fuselage
- B. Ailes
- C. Dérive
- D. Plans canards
- E. Verrière
- F. Cône de nez
- G. Set d'armement
- H. Set train d'atterrissage
- I. Vis et pattes de fixation
- J. Perche de ravitaillement en vol
- K. Quilles ventrales
- L. Tube clé d'aile

## Montage du modèle

### Montage des plans canards

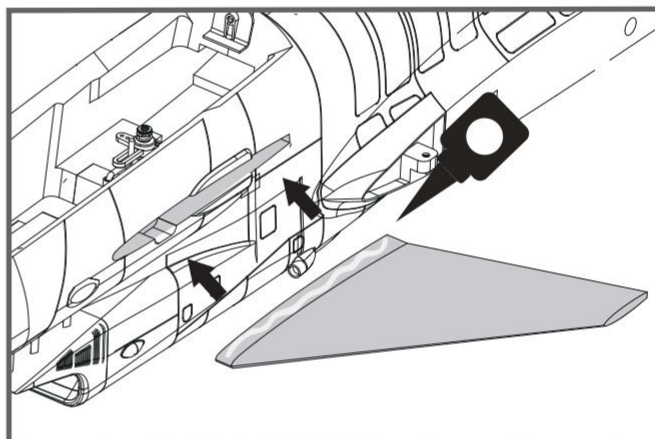
1. Appliquez de la colle spéciale mousse sur les surfaces de contact entre le fuselage et le plan canard, puis montez le plan canard dans la fente du fuselage.

Note: Les plans canards doivent être parfaitement positionnés en s'assurant qu'il n'y a aucune différence de calage entre les côtés gauche et droit.

Colle nécessaire:

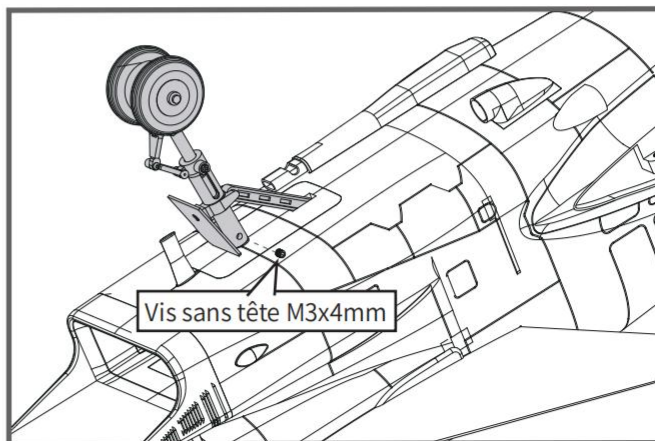
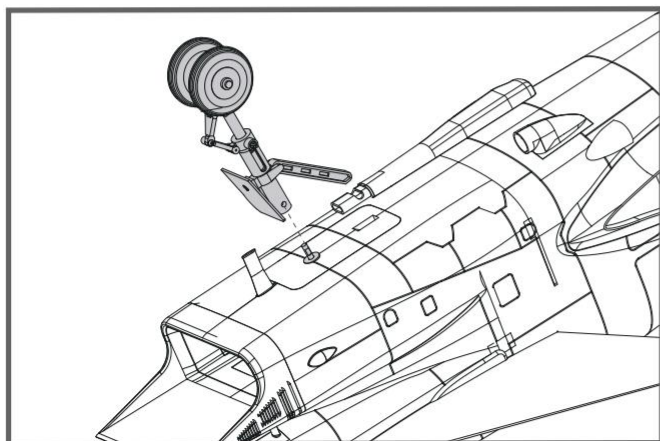


Colle cyano médium  
spéciale mousse



### Montage du train avant

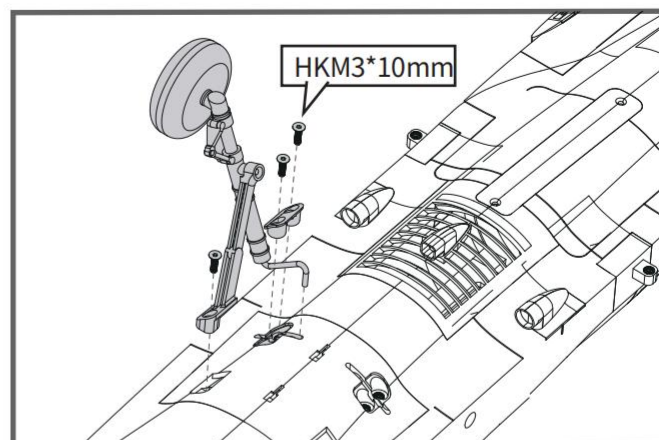
1. Glissez le train avant sur la tige sous le nez de l'avion comme montré.
2. Fixez le train avant en position à l'aide de la vis fournie.



## Montage du modèle

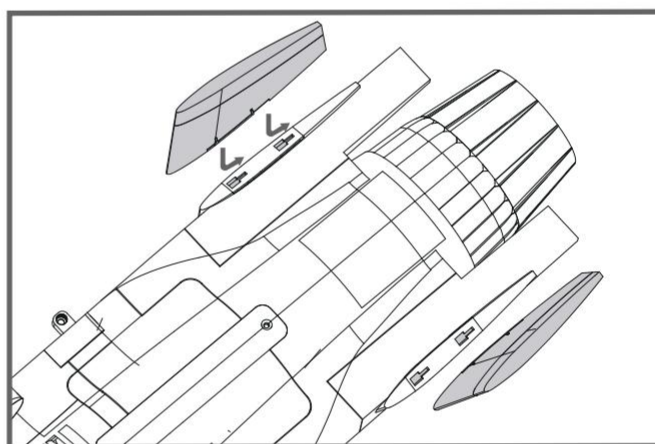
### Montage du train principal

1. Montez les trains principaux (jeux gauche et droit) sous le fuselage comme montré, en utilisant les vis fournies et les pattes de fixation. (HKM3\*10 X 6).



### Montage des quilles ventrales

1. Montez les quilles ventrales dans les fentes du fuselage comme représenté, et glissez-les vers l'arrière du fuselage pour les verrouiller en position.



### Montage de la dérive

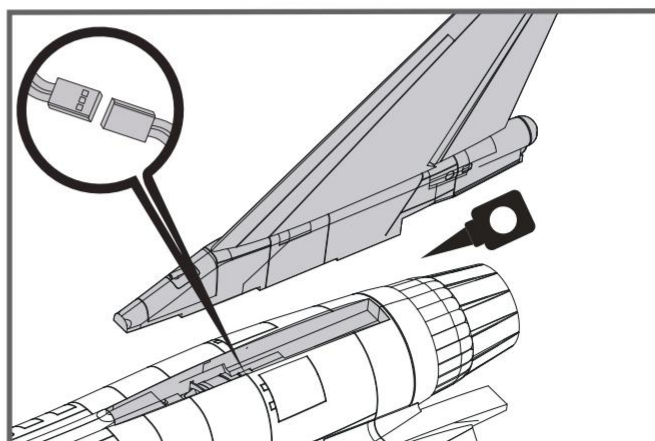
1. Connectez le fil du servo de direction sur la rallonge intégrée au fuselage comme représenté.
2. Appliquez de la colle spéciale mousse sur les surfaces de contact entre le fuselage et la dérive, puis montez la dérive dans la fente du fuselage.

Note: les connecteurs doivent être branchés avec précision et fermeté.

Colle nécessaire:



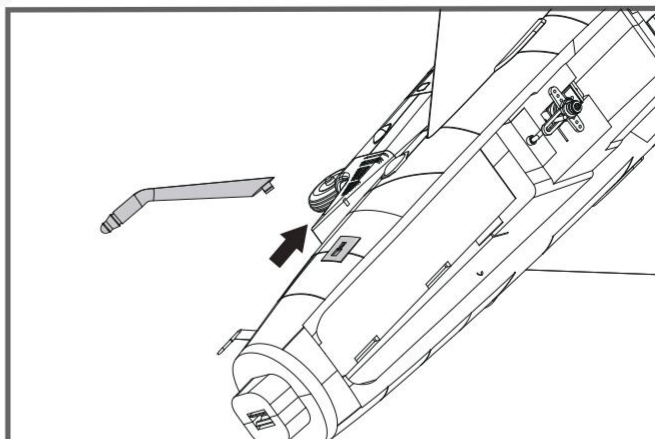
Colle cyano médium  
spéciale mousse



## Montage du modèle

### Montage de la perche de ravitaillement en vol

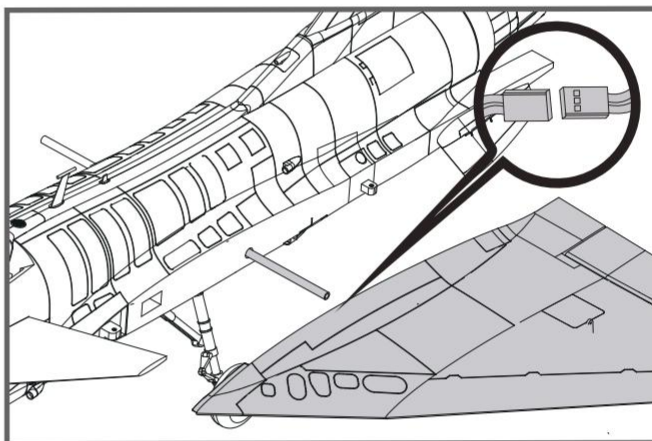
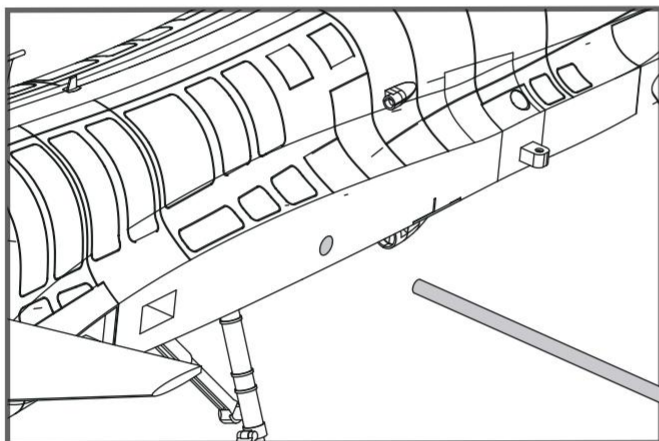
1. Montez la perche de ravitaillement en vol dans la fente que vous trouvez sur la droite du nez comme montré, et glissez là vers l'arrière du fuselage pour la verrouiller.



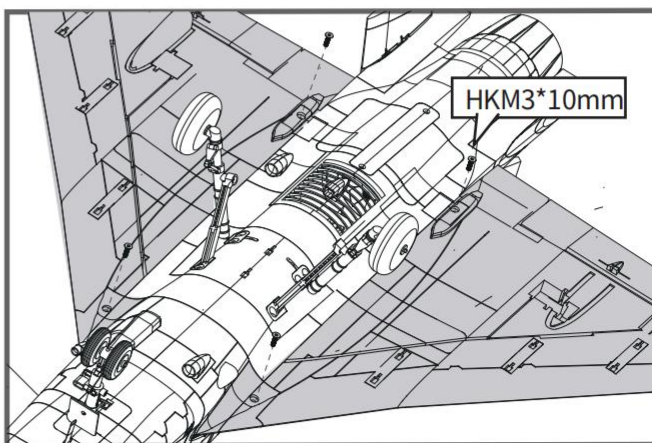
### Montage de la voilure

1. Placez le tube de clé d'aile dans l'ouverture correspondante du fuselage.  
2. Alignez et branchez les connecteurs des servos d'élévons sur les rallonges pré-installées dans le fuselage. Glissez les ailes gauche et droite sur le tube clé d'aile. Glissez-les comme montré jusque sur les plots du fuselage.

Note: les connecteurs à gauche et à droite doivent être branchés avec précision et fermetement.



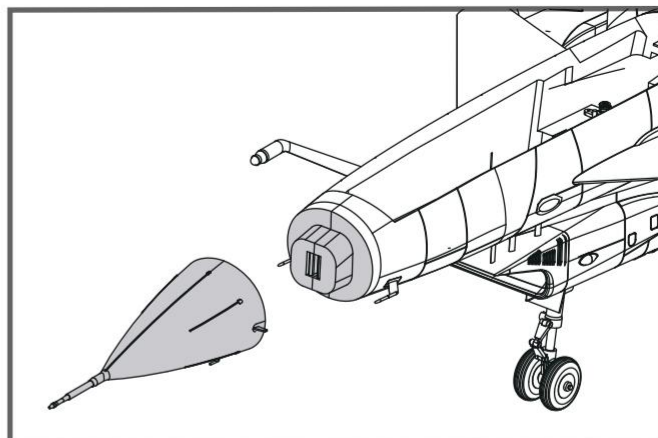
3. Fixez les ailes au fuselage à l'aide des vis fournies. (HKM3\*10mm x 4)



## Montage du modèle

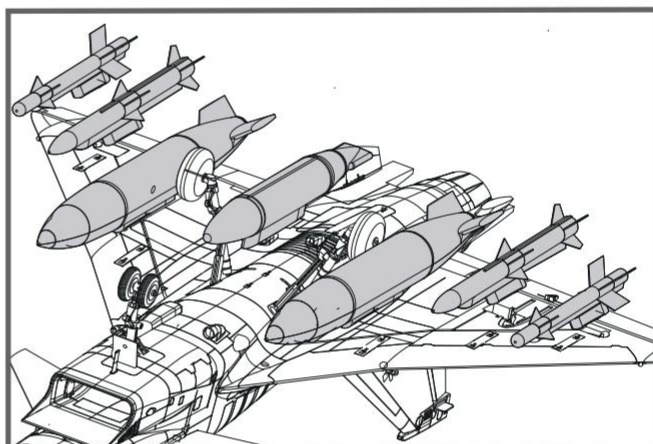
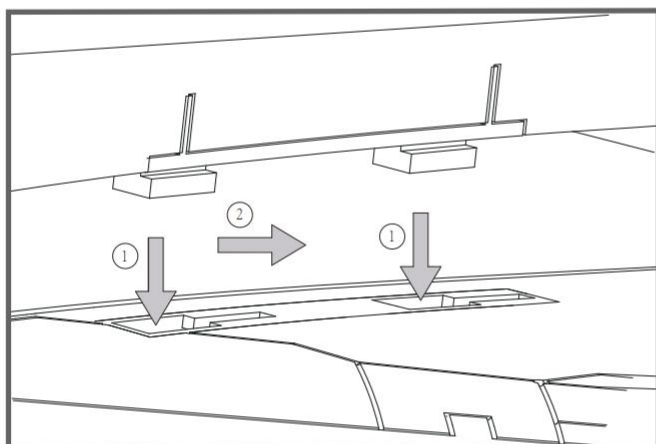
### Montage du cône de nez

1. Placez le cône de nez à l'avant du fuselage en vérifiant qu'il est placé avec la bonne orientation.



### Montage de l'armement maquette (version grise uniquement)

1. Schéma global de montage des missiles : placez le support de missile dans le sens de la flèche 1, puis glissez dans le sens de la flèche 2 jusqu'au verrouillage en 1 position.
2. Placez les armements dans les fentes du fuselage et des ailes, puis glissez les vers l'arrière pour les verrouiller.

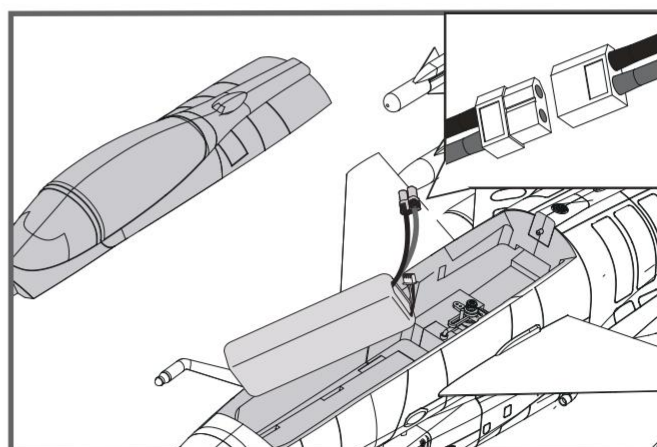


### Mise en place de la batterie

1. Enlevez la trappe d'accès à la batterie.
2. Tirez la face "douce" du velcro adhésif situé dans le fuselage. Collez cette face à votre pack d'accus.
3. Placez un pack d'accus dans le fuselage et attachez-le avec les sangles d'accu pré-installées

Note : Le centre de gravité peut être ajusté en déplaçant la batterie d'avant en arrière. Il est capital d'avoir un centrage correct afin d'obtenir de bonnes qualités de vol.

Taille du compartiment de batterie : 160 x 55 x 42 mm



## Connexion du récepteur

Les cordons venant de la platine de connexion des servos doivent être connectés à votre récepteur dans l'ordre indiqué. Rangez les fils dans la cavité vers l'arrière du logement de batterie.

Note: L'ordre des voies peut différer selon les marques de radio. Reportez-vous à la notice de votre ensemble radio. L'ordre indiqué est celui utilisé entre autres par Futaba.

		Récepteur
Ailerons	1	Voie 1 —Ailerons
Profondeur	2	Voie 2 —Profondeur
Gaz	3	Voie 3 —Gaz
Direction	4	Voie 4 —Direction
Train	5	Voie 5 —Train
Voie auxiliaire	6	Voie 6 —Aux

## Préparation du modèle au vol

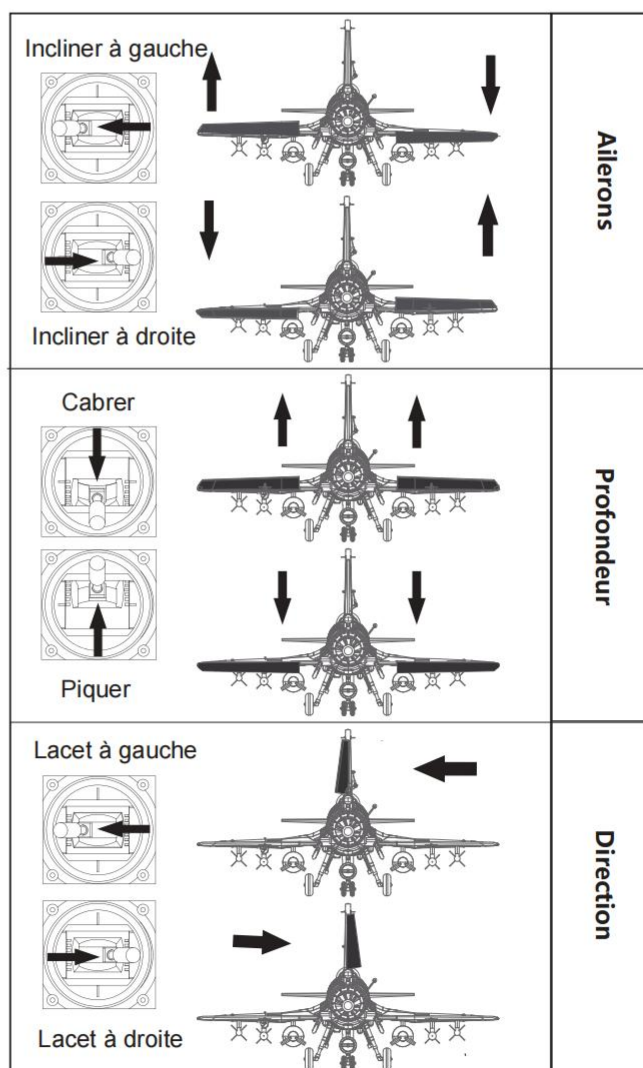
### Réglages de l'émetteur et du modèle

Avant de commencer, apparez votre récepteur à votre émetteur. Merci de vous reporter à la notice de votre ensemble radio pour effectuer cette opération correctement.

**ATTENTION:** Pour éviter les blessures, NE MONTEZ PAS l'hélice sur l'axe du moteur pendant que vous contrôlez les gouvernes. N'armez pas le contrôleur et n'allumez pas l'émetteur tant que le manuel de l'émetteur ne vous le précise pas.

**CONSEILS :** Assurez-vous que les manches de l'émetteur sont au neutre (Direction, profondeur et ailerons) et que les gaz sont sur "moteur coupé". Assurez-vous que chaque aileron se lève et se baisse de la même valeur. Ce modèle se comporte bien quand les débattements des ailerons vers la gauche et vers la droite sont identiques.

Bougez les commandes de l'émetteur pour vous assurer que les gouvernes réagissent correctement. (Voir les schémas ci-contre).





## Préparation du modèle au vol

### Informations importantes concernant le contrôleur brushless et le modèle

1. Le contrôleur brushless inclus dans votre modèle est équipé d'un démarrage sécurisé. Si l'accu de propulsion est branché au contrôleur alors que le manche de gaz n'est en position moteur coupé, le moteur ne démarrera pas tant que le manche n'aura pas été ramené en position moteur coupé. Une fois le manche de gaz en position moteur coupé, le moteur émet une série de "bips". Plusieurs "bips" avec la même tonalité indiquent que le contrôleur a détecté les éléments de l'accu. Le nombre de "bips" correspond au nombre d'éléments détectés. Le moteur est alors armé et démarrera dès que le manche de gaz sera bougé.
2. Le moteur et le contrôleur sont pré-connectés et le sens de rotation du moteur doit être correct. Si pour une quelconque raison, le moteur tourne dans le mauvais sens, inversez simplement deux des trois fils du moteur pour inverser le sens de rotation.
3. Choix et installation de l'accu : Nous conseillons un accu 14.8V 2200-2600mAh 25C. Si vous utilisez un autre type d'accu, il doit être un 4S (14.8V), avec au moins 2600mAh de capacité et au moins 25C de capacité de décharge. Votre accu doit avoir à peu près la même capacité, les mêmes dimensions et le même poids que l'accu 14.8V 2200-2600mAh 45C afin de rentrer dans le fuselage sans modifier le centrage de manière significative.

### Contrôle des débattements

Les débattements conseillés pour votre sont les suivants (Réglages de doubles débattements)



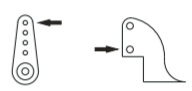


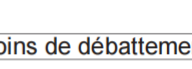


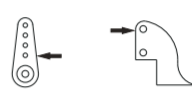
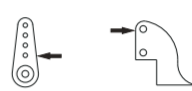
CONSEILS : Pour le premier vol, pilotez le modèle avec les petits débattements. La première fois que vous utiliserez les grands débattements, veillez à voler à vitesse moyenne, c'est uniquement pour des figures EXTRÊMES.

	Grands débattements	Petits débattements
Profondeur	20mm haut / bas	18mm haut / bas
Ailerons	12mm haut / bas	8mm haut / bas
Direction	22mm gauche / droite	18mm gauche / droite

## Réglage des guignols et des palonniers de servos

Le tableau montre les réglages d'usine des guignols et des palonniers de servos. Faites voler le modèle avec les réglages d'usine avant de faire des modifications.

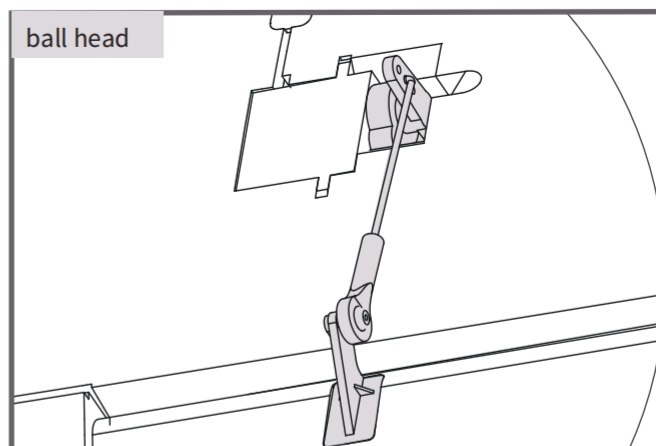
Après avoir volé, vous pouvez choisir de modifier les positions des commandes pour personnaliser la réponse des gouvernes. Reportez-vous au tableau ci-dessous.

	Guignols	Palonniers	Plus de débattement
Profondeur			
Direction			
Ailerons			
			Moins de débattement
			

## Montage des tringleries de commandes

Avant de monter les ailes, le stabilisateur horizontal et la dérive, il est préférable d'installer par avance les tringleries de commande des ailerons, des volets, des gouvernes de profondeur et de la gouverne de direction.

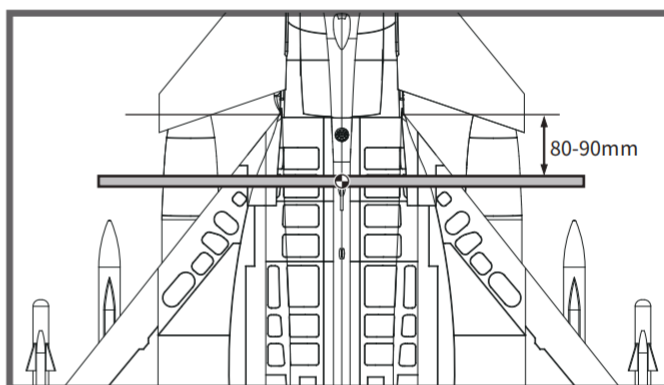
Assurez-vous que les servos sont au neutre. Fixez le pli en « Z » des tringleries d'ailerons, de volets, des gouvernes de direction et de profondeur dans les trous des palonniers des servos correspondants comme montré (reportez-vous au chapitre « Réglage des guignols et des palonniers des servos » du manuel pour utiliser le trou adapté). Ensuite, clipsez la chape sur la rotule du guignol de commande.



## Centrage

Quand vous réglez le centrage de votre modèle, ajustez la position de l'accu selon les besoins pour que le modèle soit à plat ou légèrement nez bas. C'est le bon point d'équilibrage pour votre modèle. Après les premiers vols, le centrage peut être ajusté en fonction de vos préférences.

1. Le centre de gravité conseillé pour votre modèle est entre 80 et 90mm en arrière du bord d'attaque de l'aile (comme montré) quand le pack d'accus est installé. Tracez la position du centre de gravité sur le dessous de l'aile.
2. Pour équilibrer votre modèle, portez-le au niveau des marques faites sous les ailes, soit sur vos doigts, soit à l'aide d'un équilibreur disponible dans le commerce. C'est le bon point d'équilibre pour votre modèle. Assurez-vous que le modèle est monté et en ordre de vol avant de l'équilibrer.



## Avant de faire voler le modèle

### Trouvez un site de vol adapté

Trouvez un site de vol dégagé, à l'écart de bâtiments, d'arbres, de lignes électriques ou autres obstacles. Jusqu'à ce que vous sachiez exactement l'espace dont vous avez besoin et que vous maîtrisiez parfaitement votre avion, choisissez un site qui fasse au moins la surface de deux à trois terrains de football. Un site réservé à la pratique de l'aéromodélisme est encore mieux. Ne volez jamais à proximité de personnes, tout particulièrement d'enfants qui peuvent divaguer de façon imprévisible.

### Faites un test de portée de votre radio

Par précaution, un test de portée doit être effectué avant le premier vol de chaque session de vol. Le test de portée est une bonne façon de détecter des problèmes qui peuvent entraîner une perte de contrôle, comme des piles faibles, des éléments de la radio défectueux, ou un brouillage radio. En général, il vous faut un assistant et vous devez le faire sur le site même où vous allez voler. d'enfants qui peuvent divaguer de façon imprévisible.

Allumez d'abord votre émetteur, puis montez un accu complètement chargé dans le fuselage. Branchez l'accu sur le contrôleur et placez la trappe.

Pensez à ne pas heurter le manche de gaz, sans quoi, l'hélice se mettra à tourner, pouvant causer des dégâts ou des blessures.

## Avant de faire voler le modèle

NOTE: Reportez-vous aux instructions de votre ensemble radio pour connaître la procédure de test de portée. Si les commandes ne répondent pas correctement ou si quoi que ce soit semble anormal, ne faites pas voler le modèle avant d'avoir trouvé le problème et de l'avoir corrigé. Assurez-vous que les fils de servos sont correctement connectés sur le récepteur et que les piles ou accus de l'émetteur sont bien chargées.

### Surveillez votre temps de vol

Surveillez et limitez votre temps de vol avec un chronomètre (une montre-chrono, ou un chrono sur votre émetteur s'il en est équipé). Quand les accus faiblissent, vous constatez en général une baisse de puissance avant que le contrôleur ne coupe le moteur. Donc, dès que l'avion perd de la vitesse, vous devez atterrir. Souvent (mais pas toujours), vous pouvez remettre le moteur en marche brièvement quand le contrôleur après que le contrôleur ait coupé le moteur, en gardant le manche de gaz tout en bas quelques secondes.

Pour éviter un atterrissage en plané dès votre premier vol, nous vous conseillons de tabler sur une valeur prudente de 4 minutes. Quand les 4 minutes sont atteintes, posez-vous sans attendre.

## Pilotage du modèle

### Décollage

En mettant progressivement les gaz, maintenez l'axe avec la direction, le modèle va accélérer rapidement. Quand le modèle a assez de vitesse pour voler, mettez-le en montée sur un angle raisonnable et constant. Il va monter avec un bon angle d'attaque(AOA).

### Vol

Choisissez toujours une zone vaste et dégagée pour faire voler votre avion. L'idéal est de voler sur le site d'un club d'aéromodélisme. Si ce n'est pas le cas, évitez toujours de voler à proximité de maisons, d'arbres, de lignes électriques et de bâtiments. Vous devez aussi éviter de voler sur des zones très peuplées, comme les parcs publics, les cours d'écoles, ou des terrains de sport. Consultez les lois et règlements locaux avant de choisir votre site de vol. Après le décollage, prenez de la hauteur. Montez pour tester tous les régimes de vol, y compris les hautes et basses vitesses. Après avoir pris en main votre modèle, vous pourrez faire des passages bas et rapides, du vol sur le dos, des loopings et des tonneaux.

### Atterrissage

Dès que le moteur de votre modèle donne des à-coups (LVC) ou que vous sentez une diminution de puissance, posez-vous. Si vous avez un émetteur avec un chronomètre, réglez-le pour avoir la possibilité de faire plusieurs approches. Le train tricycle du modèle permet de se poser sur des pistes en dur.

Alignez le modèle face au vent et laissez-le descendre vers le sol. Gardez 1/4 à 1/3 de puissance pour avoir assez d'énergie pour faire un bel arrondi. Avant que le modèle ne touche le sol, réduisez complètement le moteur pour éviter d'endommager l'hélice ou d'autres éléments. La clé d'un atterrissage réussi réside dans le dosage des gaz et de la profondeur dans l'approche finale et durant l'arrondi pour que le modèle touche le sol en douceur sur ses trois roues à la fois.

### Entretien

Les réparations de la mousse doivent se faire avec des colles adaptées aux mousses expansées comme la colle thermofusible, la cyano spéciale mousse, et l'époxy 5 minutes. Si les pièces ne sont pas réparables, consultez la liste des pièces de rechange pour commander à l'aide des références.

Vérifiez toujours que toutes les vis du modèle sont bien serrées. Faites spécialement attention à la fixation du cône avant chaque vol.

## Dépannage

Problème	Cause possible	Solution
Le moteur de l'avion ne répond pas, mais les autres commandes répondent.	-Le contrôleur n'est pas armé. -La voie des gaz est inversée.	-Abaissez le manche de gaz et son trim tout en bas. -Inversez la voie des gaz sur l'émetteur.
Bruit excessif de l'hélice ou vibrations excessives.	-Cône, hélice, moteur ou support moteur endommagé. -Hélice ou éléments du cône desserrés -Hélice montée à l'envers	-Remplacez les pièces endommagées. -Serrez l'adaptateur d'hélice, l'hélice et le cône. -Démontez et remontez l'hélice correctement.
Temps de vol réduit ou modèle sous motorisé.	-Accu mal chargé -Hélice montée à l'envers -Accu endommagé	-Rechargez complètement l'accu. -Remontez l'hélice dans le bon sens. -Remplacez l'accu et suivez les instructions de l'accu.
Les gouvernes ne bougent pas, ou réagissent lentement aux ordres	-Gouverne, guignol, tringlerie ou servo endommagé. -Fils endommagés ou connecteurs trop lâches.	-Remplacez ou réparez les éléments endommagés ou réglez les commandes. -Vérifiez les connexions rechargez l'accu
Gouvernes inversées	-Voies inversées sur l'émetteur	-Vérifiez les sens de débattement et réglez les sens depuis l'émetteur.
-Le moteur perd de la puissance. -Le moteur donne des à-coups puis perd de la puissance.	-Moteur ou accu endommagé. -Perte de puissance du modèle. - Le contrôleur passe en mode de coupure de sécurité en raison d'une tension trop faible.	-Vérifiez vos accus, l'émetteur, le récepteur, le contrôleur et les câblages. Remplacez si nécessaire. - Posez l'avion immédiatement et rechargez l'accu.
La LED du récepteur clignote lentement.	Perte de puissance du récepteur	- Vérifiez les connexions entre le récepteur et le contrôleur. - Vérifiez l'état des servos. - Contrôlez les tringleries, pour vérifier si elles ne forcent pas.

## Liste de pièces de rechange

FMSEU101GY	Fuselage	FMSEU119GY	Tuyère (plastique)
FMSEU102GY	Jeu d'ailes	FMSEU120	Tube de pitot
FMSEU103GY	Plans canards	FMSDFX010	Turbine à 12 pales de 64 mm
FMSEU104GY	Derive	PRKVBX3150	Moteur 2840-Kv3150
FMSEU105GY	Nez	PRESC040	Contrôleur brushless 40 A
FMSEU106GY	Verriere	FMSSER003	Servo digital 9 g à pignons métal, sens normal
FMSEU107GY	RSet d'armements	FMSSER011	Servo digital 9 g à pignons métal, sens 54°
FMSEU108	Tringles de commande	FMSEU101BU	Fuselage
FMSEU109	Train avant	FMSEU102BU	Jeu d'ailes
FMSEU110	Train principal	FMSEU103BU	Plans canards
FMSEU111	Tube cle d'aile	FMSEU104BU	Derive
FMSEU112GY	Stickers	FMSEU105BU	Nez
FMSEU113	Jeu de wis	FMSEU106BU	Verriere
FMSEU114GY	Guignol	FMSEU107BU	RSet d'armements
FMSEU115GY	Quilles ventrales	FMSEU112BU	Stickers
FMSEU116	Jeu de LEDs	FMSEU114BU	Guignol
FMSEU117	Cabochons de phares	FMSEU115BU	Quilles ventrales
FMSEU118	Perche de ravitaillement en vol	FMSEU119BU	Tuyère (plastique)

Visitez notre site internet pour voir les photos de ces produits : [www.fmshobby.com](http://www.fmshobby.com)  
Saisissez le mot "ESC" dans la case de recherche pour obtenir le manuel d'utilisation du contrôleur.

# Manuel du contrôleur brushless

## Avertissements importants

- FMS n'est pas responsable de l'utilisation que vous faites de ce produit, ni des dégâts ou blessures que vous pouvez causer ou subir du fait de son utilisation.
- Donnez toujours la priorité à la sécurité quand vous utilisez ce produit.
- Un moteur électrique connecté à une batterie et/ou à un contrôleur électronique peut démarrer de manière imprévue et causer des dégâts importants. Vous devez toujours l'utiliser avec précautions et respect.
- Nous vous conseillons de toujours démonter l'hélice quand vous travaillez sur le modèle avec la source d'alimentation connectée.
- Suivez et respectez toutes les lois et règlements locaux en rapport avec le pilotage d'avions RC quand vous faites voler votre modèle.
- Ne volez jamais au-dessus d'autres personnes ou d'une foule.

## Spécificités

1. Utilise de puissants MOSFETS de dernière génération à faible empreinte thermique, à courant en pointe élevé et haute fiabilité.
2. Equipé d'un microprocesseur 32 bits à hautes performances en standard. Capacité de calcul plus forte et des taux de traitement plus rapides.
3. Démarrage super-doux et contrôle souple des gaz sur toute la plage de puissance.
4. Efficacité de pilotage plus élevée et plus d'économie d'énergie.
5. Sortie SBEC à tension réglable : 5V/6V. (Les contrôleurs 40A/50A/60A/80A/100A ont le SBEC réglable)
6. Multiples protections : démarrage, surchauffe, coupure en cas de tension faible, perte de signal, déphasage.
7. Accepte une large plage de types de moteurs tournant à haut régime que l'on trouve sur le marché actuel.
8. Entièrement programmable via l'application mobile ZTW ou la carte de programmation LCD ZTW.

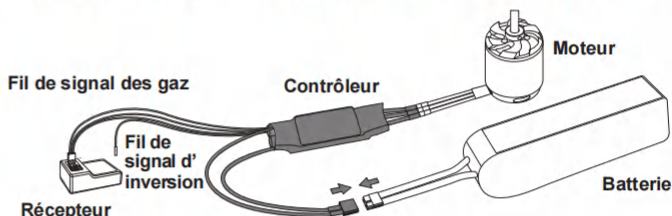
## Caractéristiques

Type	Référence	Courant Continu/Pointe	Nb. d'éléments NiXX/LiPo	Poids (g)	Sortie BEC	Dimensions L x l x H	Programmable
Beatles 20A SBEC G2	3020211	20A/30A	5-12NC\2-4LiPo	25	5.5V/4A	60*25*10	Yes
Beatles 30A SBEC G2	3030211	30A/40A	5-12NC\2-4LiPo	25	5.5V/4A	60*25*10	Yes
Beatles 40A SBEC G2	3040211	40A/55A	5-12NC\2-4LiPo	37	5V/6V 4A	68*25*10	Yes
Beatles 50A SBEC G2	3050211	50A/65A	5-12NC\2-4LiPo	37	5V/6V 4A	68*25*10	Yes
Beatles 60A SBEC G2	3060211	60A/80A	5-18NC\2-6LiPo	50	5V/6V 8A	70*34*10	Yes
Beatles 80A SBEC G2	3080211	80A/100A	5-18NC\2-6LiPo	75	5V/6V 8A	90*37*10	Yes
Beatles 100A SBEC G2	3100211	100A/120A	5-18NC\2-6LiPo	80	5V/6V 8A	90*37*10	Yes

### Connexions des fils:

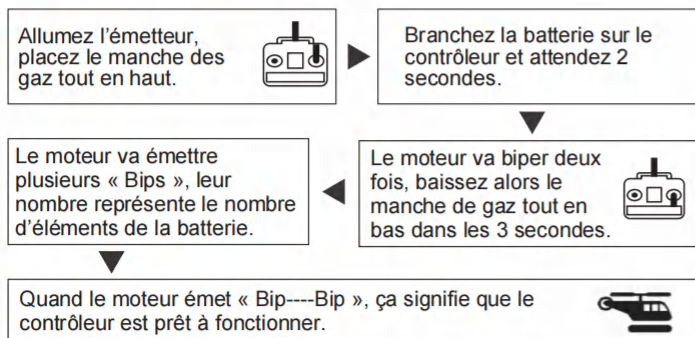
Le contrôleur peut être connecté au moteur soit en le soudant directement, soit à l'aide de connecteurs de haute qualité. Utilisez toujours des connecteurs neufs, qui doivent être soudés aux câbles avec précaution et isolés avec de la gaine thermorétractable. La longueur maximale des fils entre la batterie et le contrôleur ne doit pas dépasser 150 mm.

- Souder les fils du contrôleur à ceux du moteur.
- Soudez un connecteur adapté aux fils d'alimentation.
- Isolez les soudures et les connecteurs avec de la gaine thermorétractable.
- Branchez le connecteur « JR » sur la sortie des gaz du récepteur.
- Les fils Rouge et Noir du contrôleur doivent être connectés respectivement avec les fils Rouge et Noir de la batterie.

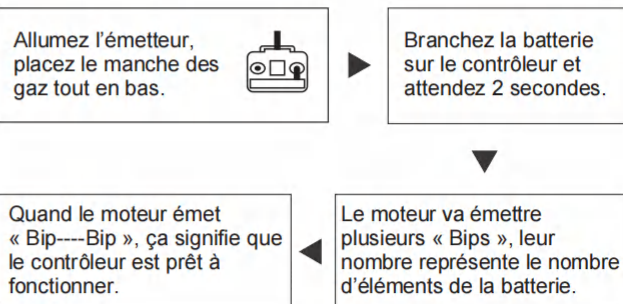


## Calibrage des gaz

(Important : Procédez au calibrage des gaz lors de la première utilisation du contrôleur !!!)



## Procédure de démarrage normal



# Manuel du contrôleur brushless

## PARAMETRES PROGRAMMABLES (Les options en gras sont les paramètres par défaut)

### 1. Fonction SMR (Reverse) : OFF/ON

Cette fonction permet d'inverser le sens de rotation du moteur afin de ralentir lors de l'atterrissage, une fois l'avion au sol. Par défaut sur OFF, la prise à 1 broche de signal est totalement invalide dans ce cas.

Si vous voulez l'activer, utilisez l'Application Mobile ou de l'émetteur pour la programmer sur « ON », branchez la prise à 3 broches sur la voie des gaz du récepteur, et branchez la prise à 1 broche sur une voie auxiliaire du récepteur commandée par un interrupteur à 2 positions. La fonction est alors activée, vous pouvez changer de sens de rotation en basculant l'interrupteur à deux positions.

Attention: Cette fonction ne peut être utilisée que quand les gaz sont à moins de 50% et ne doit être utilisée exclusivement que quand l'avion est posé au sol, sans quoi, cela peut griller le contrôleur !

### 2. Type de frein: **OFF**/Doux/Moyen/Fort

### 3. Timing: **Auto**/Bas/Moyen/Haut (5°/15°/25°)

### 4. Sens de rotation du moteur: **Horaire**/Antihoraire

5. Fonction SR: ON/OFF La fonction de rectification synchrone améliore l'efficacité de gestion du contrôleur et économise de l'énergie.

### 6. Nombre d'éléments: **Auto**/2S/3S/4S/5S/6S

7. Seuil de tension de coupure en cas de tension faible: OFF/NiMH50%/NiMH60%/3,0V/3,2V/3,4V/3,6V Par exemple: en utilisant 3 éléments de batterie au lithium avec le réglage sur 3,0V comme tension de coupure, le seuil de protection sera de 3 x 3,0 = 9,0 V.

8. Type de coupure en cas de tension faible: **Réduction de puissance**/Coupure franche protection sélectionné, le contrôleur va réduire la puissance à 70%. Coupure franche: Quand la tension atteint le seuil de protection sélectionné, le contrôleur coupe immédiatement la puissance.

9. Tension du SBEC (Pour les contrôleurs 40A, 50A, 60A, 80A et 100A): **5,0V**/6,0V.

### 10. Accélération: **Normale**/Douce

## FONCTIONS DE PROTECTION

1. Protection au démarrage: Si le moteur ne parvient pas à démarrer normalement dans les 2 secondes après avoir monté les gaz pour démarrer, le contrôleur coupe la puissance de sortie et vous devez refaire le calibrage des gaz, après quoi le contrôleur peut redémarrer. Causes possibles : déconnexion ou mauvais contact entre le contrôleur et le moteur, hélice ou moteur bloqué par un quelconque objet, réducteur endommagé, etc.

2. Protection contre la surchauffe: Quand la température du contrôleur dépasse les 110 °C environ, le contrôleur réduit automatiquement la puissance de sortie en protection à 70% de la puissance maximale afin de laisser assez de puissance pour éviter un crash.

3. Protection en cas de perte de signal: Le contrôleur réduit la puissance de sortie si le signal des gaz est perdu durant 1 seconde, et la coupe complètement si le signal des gaz est perdu durant 2 secondes. Si le signal revient durant la coupure de la puissance, le contrôleur restaure immédiatement le contrôle des gaz. De cette façon, le contrôleur ne sera pas protégé lorsque la perte de signal est inférieure à 2 secondes, mais uniquement lorsque la perte de signal est supérieure à 2 secondes ou plus. Et le contrôleur réduira progressivement la puissance de sortie au lieu de la couper immédiatement, de sorte que l'utilisateur dispose d'un certain temps pour sauver l'avion, en tenant compte de la sécurité et de l'aspect pratique.

4. Protection contre la surcharge: Le contrôleur coupe la puissance de sortie ou redémarre automatiquement quand la charge augmente fortement et brutalement. Cause possible: le moteur est bloqué.

## Entrée en mode de programmation

1. Allumer l'émetteur, placez le manche de gaz tout en haut.
2. Connectez la batterie au contrôleur.
3. Attendez 2 secondes, le moteur va émettre un son spécial genre «Bip-bip».
4. Attendre 3 secondes supplémentaires, le moteur émet une mélodie type « 123 », indiquant l'entrée dans le mode de programmation.

## Paramètres programmables

Après être entré en mode de programmation, vous entendrez 11 types de tonalités en boucle selon la séquence suivante:

Tonalités	Paramètre programmable	
1)"Bip"	Fonction SMR (Reverse)	(1 son court)
2)"Bip.Bip"	Type de frein	(2 sons courts)
3)"Bip.Bip.Bip"	Timing moteur	(3 sons courts)
4)"Bip.Bip.Bip.Bip"	Sens de rotation du moteur	(4 sons courts)
5)"Biiiiiiip--"	Fonction SR	(1 son long)
6)"Biiiiiiip--Bip"	Nombre d'éléments de batterie	(1 long, 1 court)
7)"Biiiiiiip--Bip.Bip"	Seuil de tension de coupure (sous tension)	(1 long, 2 courts)
8)"Biiiiiiip--Bip.Bip.Bip"	Type de coupure (sous tension)	(1 long, 3 courts)
9)"Biiiiiiip--Bip.Bip.Bip.Bip"	Tension du BEC	(1 long, 4 courts)
10)"Biiiiiiip--Biiiiiiip--"	Accélération	(2 sons longs)
11)"Biiiiiiip--Biiiiiiip--Bip"	Réinitialisation aux paramètres d'usine	(2 longs, 1 court)

Note: 1 bip long = 5 bips courts

## Réglage de la valeur des paramètres

En abaissant complètement le manche de gaz dans les deux secondes suivant une des tonalités indiquées ci-dessus, le paramètre est sélectionné. Une fois le paramètre sélectionné, vous entendrez en boucle plusieurs tonalités correspondant aux options du paramètre programmable. Affectez la valeur correspondant à une tonalité en replaçant le manche de gaz tout en haut quand vous entendez cette tonalité, le moteur émet alors une mélodie style « 123 », indiquant que la valeur est réglée et enregistrée.

Par exemple: Si vous voulez régler le sens de rotation du moteur, quand vous entendez 4 bips courts, abaissez le manche de gaz dans les 2 secondes, afin d'entrer dans le menu du sens de rotation. Un bip court correspond au sens horaire, deux bips courts correspondent au sens antihoraire. Si vous voulez choisir le sens antihoraire, remontez le manche de gaz tout en haut quand vous entendez 2 bips courts, après quoi vous entendrez la mélodie de confirmation style « 123 », confirmant que le sens antihoraire est réglé et enregistré.

En gardant le manche de gaz tout en haut, vous revenez au mode de programmation et vous pouvez sélectionner d'autres paramètres; Sinon, en abaissant le manche de gaz tout en bas dans les 2 secondes, vous sortez directement du mode de programmation.

# Manuel du contrôleur brushless

## Tableau de référence des tonalités pour la programmation

Tonalités Paramètres	"bip"	"bip.bip"	"bip.bip .bip"	"bip.bip .bip.bip"	"biiiiiiip- -"	"biiiiiiip-- biiiiiiip"	"biiiiiiip- -biiiiiiip.bip"
	1 son court	2 sons courts	3 sons courts	4 sons courts	1 son long	1 long, 1 court	2 longs, 1 court
Fonction SMR	<b>*OFF</b>	ON					
Type de frein	<b>*OFF</b>	Freinage léger	Freinage moyen	Freinage puissant			
Timing moteur	<b>*Auto</b>	Faible	Moyen	Haut			
Sens de rotation moteur	<b>*Horaire</b>	Antihoraire					
Fonction SR	ON	<b>*OFF</b>					
Nombre d'éléments	<b>*Auto</b>	2S	3S	4S	5S	6S	
Seuil de tension de coupure	OFF	NIMH50%	NIMH60%	<b>*3.0V</b>	3.2V	3.4V	3.6V
Type de coupure	<b>*Réduction de puissance</b>	Coupure franche					
Tension du BEC	<b>*5V</b>	6V					
Accélération	<b>*Normale</b>	Douce					
Réinitialisation aux paramètres d'usine	Réinitialisation						

❗ Note : « \* » Indique la valeur par défaut.

## Dépannage

Problème	Cause possible	Solution
Après mise sous tension, le contrôleur émet les sons correspondant au nombre d'éléments, mais le moteur ne peut pas tourner.	La plage des gaz du contrôleur n'est pas réglée.	Réglez la plage des gaz du contrôleur.
Après mise sous tension, le moteur de tourne pas et aucun son n'est émis.	<ol style="list-style-type: none"> <li>1. Mauvaise connexion entre le contrôleur et la batterie.</li> <li>2. Mauvaises soudures faisant de mauvais contacts.</li> <li>3. Tension de la batterie trop faible.</li> <li>4. Problème de qualité du contrôleur.</li> </ol>	<ol style="list-style-type: none"> <li>1. Nettoyez ou remplacez les connecteurs, contrôlez la polarité.</li> <li>2. Refaites les soudures.</li> <li>3. Contrôlez la batterie, utilisez une batterie complètement chargée.</li> <li>4. Changez le contrôleur.</li> </ol>
Après mise sous tension, le moteur de tourne pas et aucun son n'est émis. Les servos ne fonctionnent pas non plus.	<ol style="list-style-type: none"> <li>1. Mauvaise connexion ou pas de connexion entre la batterie et le contrôleur.</li> <li>2. Pas d'alimentation.</li> <li>3. Mauvaises soudures au niveau des connexions.</li> <li>4. Inversion de polarité des câbles.</li> <li>5. Connecteur de la voie des gaz branché à l'envers sur le récepteur.</li> </ol>	Contrôlez toutes les connexions et assurez-vous que vous avez tout fait correctement.
Le moteur ne fonctionne pas mais les servos marchent.	<ol style="list-style-type: none"> <li>1. Mauvaise connexion ou pas de connexion entre la batterie et le contrôleur.</li> <li>2. Bobinages du moteur brûlés.</li> <li>3. La tension de la batterie dépasse la plage de tension admissible.</li> <li>4. Le manche de gaz n'est pas tout en bas.</li> <li>5. Le calibrage de la voie des gaz n'est pas fait.</li> </ol>	<ol style="list-style-type: none"> <li>1. Contrôlez toutes les connexions et assurez-vous que vous avez tout fait correctement.</li> <li>2. Changez le moteur.</li> <li>3. Refaites les soudures.</li> <li>4. Contrôlez le pack de batterie, utilisez une batterie complètement chargée.</li> <li>5. Refaites le calibrage de la plage de la voie des gaz.</li> </ol>
Lors de la mise sous tension du contrôleur, le moteur ne marche pas et une alarme sonne (bips continus).	Le manche de gaz n'est pas tout en bas lors de la mise sous tension.	Abaissez complètement le manche de gaz.
Le moteur tourne dans le mauvais sens.	Inversion de polarité des fils entre le contrôleur et le moteur.	Inversez deux des trois fils entre le moteur et le contrôleur, ou entrez en mode de programmation et inversez le paramètre de sens de rotation du moteur.
Le moteur s'arrête en vol.	Perte du signal des gaz.	Contrôlez le fonctionnement de votre ensemble radio. Revoyez le positionnement du contrôleur, du récepteur, ainsi que la position de l'antenne du récepteur par rapport au contrôleur.

## 警告



警告:在组装、调整及飞行前请务必认真阅读产品说明书以熟知产品的特性。请严格按照说明书提示进行飞机的组装、调整及飞行。如操作不当会造成产品本身损坏及其它财产损失,甚至造成严重的人身伤害。

声明:模型不是玩具,具有一定的危险性,操作者需要具备一定的飞行经验,初学者请在专业人士指导下操作。禁止十四岁以下儿童操作、飞行。

## 安全须知

本产品飞行由无线电遥控器控制,在飞行过程中可能会受到外界强信号源干扰而导致失控,甚至坠机。因此,在飞行过程中务必始终与飞机保持一定的安全距离,避免意外碰撞、受伤。

- 请勿在发射器电池低电量的情况下操纵模型飞机。
- 请勿在公路、人群、高压线密集区、机场附近及其它法律法规明确禁止飞行的场合飞行。
- 请勿在雷雨、大风、大雪或者其它恶劣气象环境下飞行。
- 请严格遵照产品指导说明及安全警告操作本产品及其相关配置(例如充电器、电池等)。
- 请勿将相关化工类产品、零部件、电子部件等置于儿童可触及的范围。
- 请勿将电子件暴露于潮湿的环境中,以免造成损坏。
- 请勿将本品任意处置于口中,以免造成人身伤亡。

## 锂聚合物电池使用安全须知

- 使用锂聚合物电池时,须严格遵守制造商说明、要求并了解相关风险,使用不当会导致锂聚合物电池起火,从而造成严重的财产损失甚至人身伤害。
- 禁止使用变形、胀气的锂聚合物电池。
- 禁止使用过充、放电的锂聚合物电池,避免发生危险。长时间不使用须将锂聚合物电池放电至存储电压(3.8~3.85V/节)。锂聚合物电池须储存在室内干燥区域(4.5~48.5°C),禁止将锂聚合物电池置于阳光下暴晒或车内,高温可能会导致锂聚合物电池起火,造成财产损失和人身伤害。
- 请使用专用充电器对锂聚合物电池进行充放电,禁止使用其它如:镍氢电池充电器。充放电时,禁止将锂电池放置于高温物体表面,建议使用锂电池防爆袋。不正确的充放电操作会对锂聚合物电池造成损伤,甚至会引起火灾,造成财产损失和人身伤害。
- 禁止将锂聚合物电池单节电压放至低于3V,禁止给已损坏的锂聚合物电池充电。
- 锂聚合物电池充放电须在有人看管的情况下进行,避免发生意外造成不必要的损失。

飞机电池充电警告:

请确保使用合格的电池充电器给锂电池充电。在使用充电器前,请认真阅读充电器说明书。充电过程中,请确保把电池置于耐热的表面。建议把锂电池置于防火充电袋内充电,防火充电袋可在相关模型实体店或网上买到。



## 产品特点

歼-10战斗机, 绰号“猛龙”, 是中国自行研制的、具有自主知识产权的高性能、多用途、全天候第三代战斗机, 具有高可靠性、高生存力和高机动性能, 其作战半径大, 起降距离短, 攻击能力强, 综合作战效能达到国际同类战斗机先进水平。

特征:

1. 独特的三角翼加鸭翼设计布局给飞机提供优秀的爬升速度和爬升姿态, 可轻松完成低速大仰角动作; 此外三角翼、鸭翼、垂尾均预埋加强管片, 有效增加机体强度, 便利高速飞行。
2. 64mm 12叶涵道带2840 KV3150无刷电机, 高性能40A电调, 与市面上常见的4S 2200mAh-2600mAh 25c电池搭配, 轻松还原震撼的战斗机声浪。
3. 高还原度细节包括但不限于可拆卸武器组 (仅限空军灰色涂装)、空中加油探管、驾驶舱内饰、飞行员、像真天线、5个高亮航灯等。
4. CNC加工金属前起落架——内置CNC金属减震, 外部使用像真塑胶件。
5. EPO 40倍泡沫, 高冲击吸收性、高刚性。
6. 仿真的水性漆涂装处理, 漆膜丰满坚韧, 耐水、耐高温, 光泽度好。
7. 采用简易组装结构, 有经验的玩家仅需三十分钟即可完成全部组装和飞行前测试工作。
8. 八一飞行表演队涂装及空军灰色涂装可选。

## 产品组成

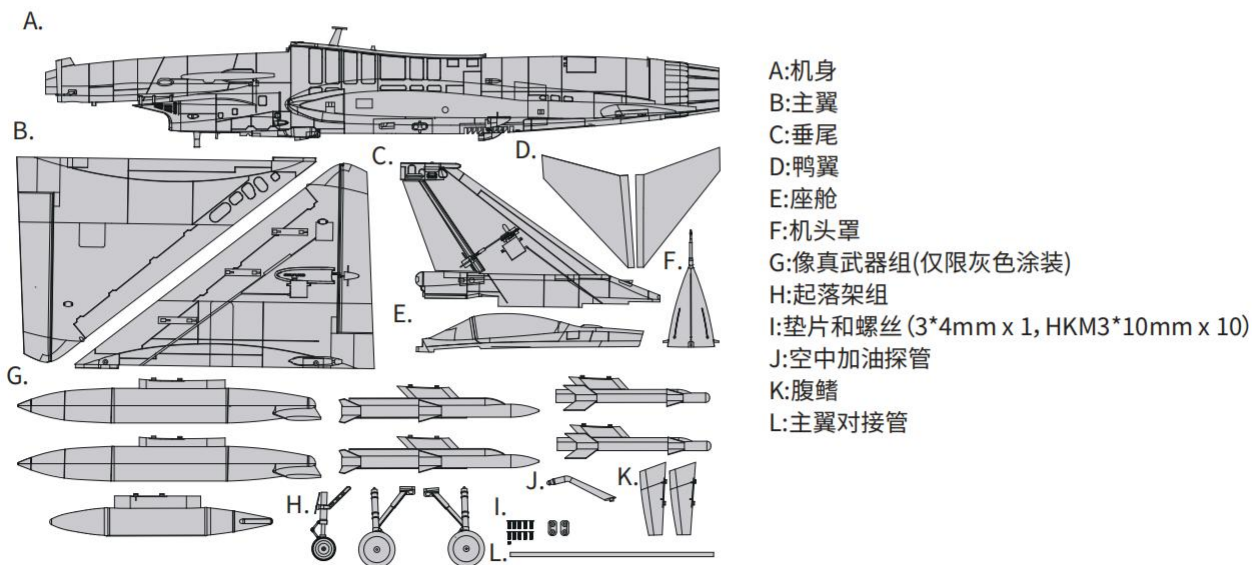
在组装产品之前, 请仔细检查以下配件, 如有缺失或者损坏, 请及时联系当地店面或者邮件至厂家 (support@fmsmodel.com), 告知缺失或损坏的配件名称及编码 (请在本说明书尾页查看相应的配件编码)。请注意, 不同配置, 包装盒内部物品不同。

### 64mm J-10空军灰色涂装产品参数

翼展: 690mm / 27.2 in
机身长: 1110mm / 43.7 in
飞行重量: 约 1100g
电机: 2840 KV3150
翼载荷: 59.5g/dm <sup>2</sup> (0.12oz/in <sup>2</sup> )
翼面积: 18.5dm <sup>2</sup> (286.5 sq.in)
电调: 40A
舵机: 9gX4pcs
涵道: 64mm 12叶
推荐电池: 14.8V 2200mAh-2600mAh 25c

### 64mm J-10八一飞行表演队涂装产品参数

翼展: 690mm / 27.2 in
机身长: 1110mm / 43.7 in
飞行重量: 约 1000g
电机: 2840 KV3150
翼载荷: 54g/dm <sup>2</sup> (0.11oz/in <sup>2</sup> )
翼面积: 18.5dm <sup>2</sup> (286.5 sq.in)
电调: 40A
舵机: 9gX4pcs
涵道: 64mm 12叶
推荐电池: 14.8V 2200mAh-2600mAh 25c

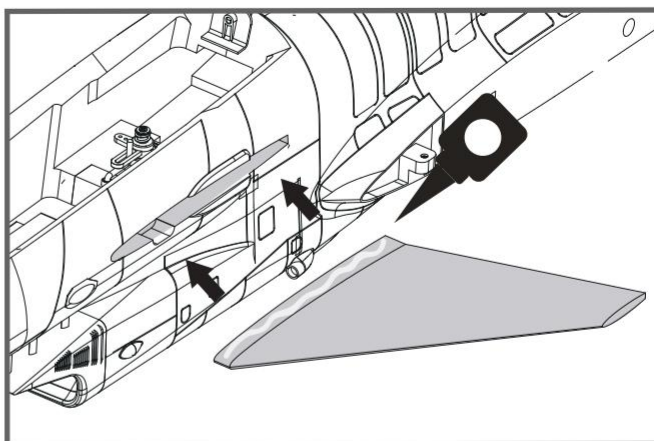


## 机体安装

### 鸭翼安装

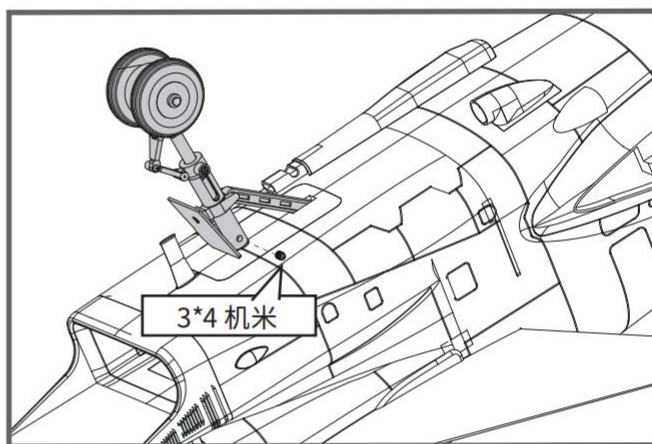
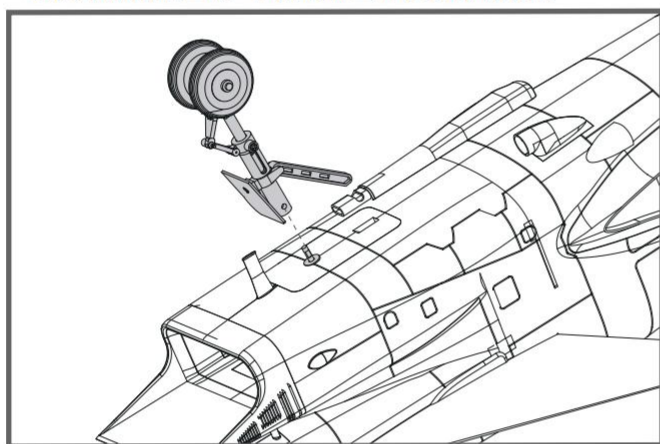
1. 涂泡沫胶到机身和鸭翼粘接面, 安装鸭翼到机身槽位。

注意: 鸭翼安装到位保证左右没有夹角。



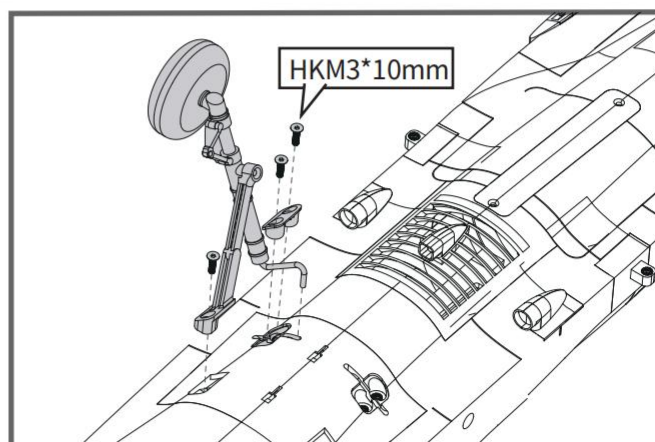
### 前起落架安装

1. 将前起落架安装到机身底部的钢丝上。
2. 使用所附螺丝 (3\*4 机米螺丝) 固定前起落架。



### 主起落架安装

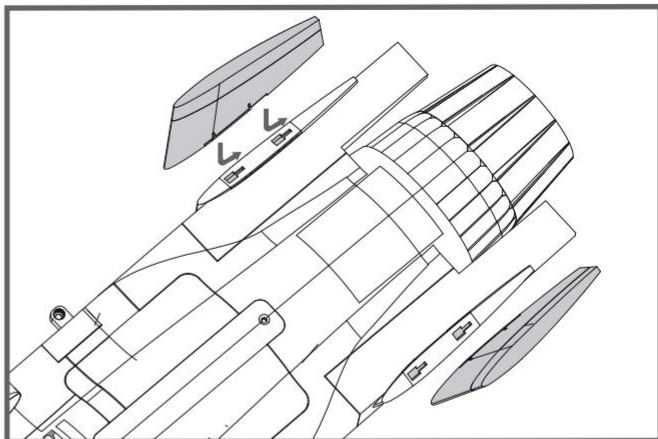
1. 如图示, 将主起落架 (左右两边) 安装至机腹槽位上。
2. 使用所附螺丝 (HKM3.0\*10mm x 6) 和垫片将起落架 (左右两边) 固锁到位



## 机体安装

### 腹鳍安装

1. 如图所示，将腹鳍安装至机身槽位，并往机身尾部方向滑动固定。

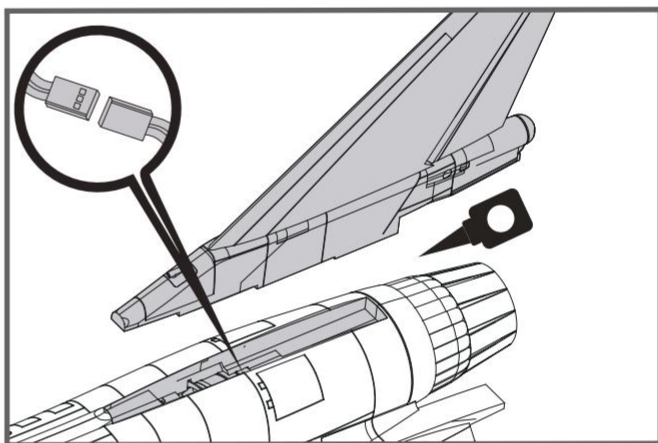


### 垂尾安装

1. 如图所示，将垂尾舵机线与机身预埋的舵机延长线连接。
2. 涂泡沫胶到垂尾和机身粘接面，安装垂尾到凹槽内。

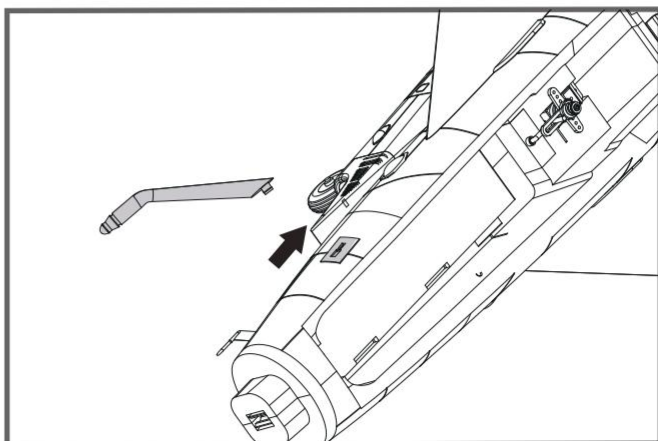
注意：两侧插头需插接到位

泡沫胶示意图



### 空中加油探管安装

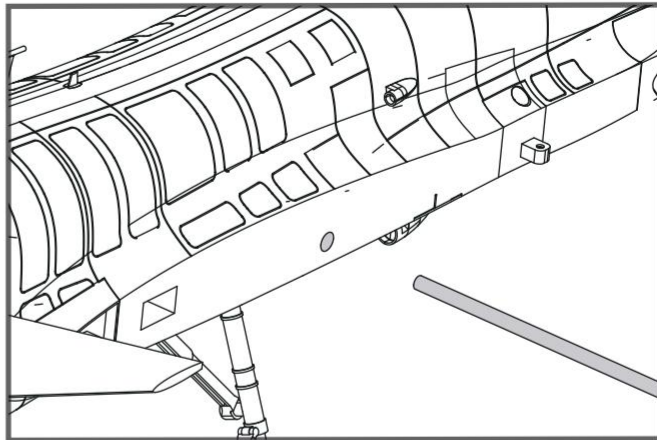
1. 将空中加油探管安装至机头图示槽位，并往机身尾部方向移动固定空中加油探管。



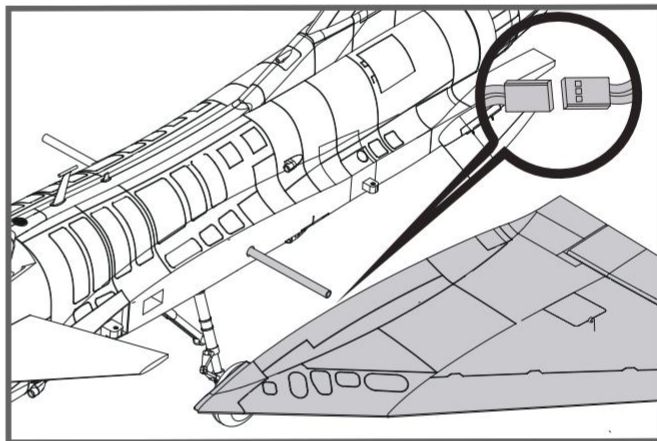
## 机体安装

### 主翼安装

1. 将主翼对接管安装至机身对应槽位。

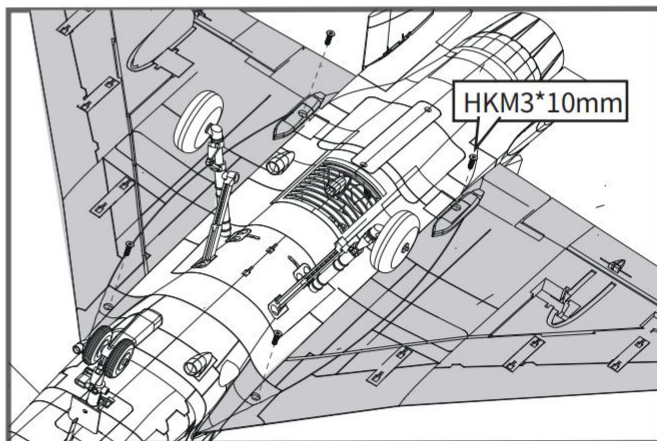


2 连接主翼舵机线与机身预埋的舵机延长线如图示。然后将左右两侧机翼安装至对接管，按照图示方向移动机翼至机身槽位。



注意：两侧插头需插接到位

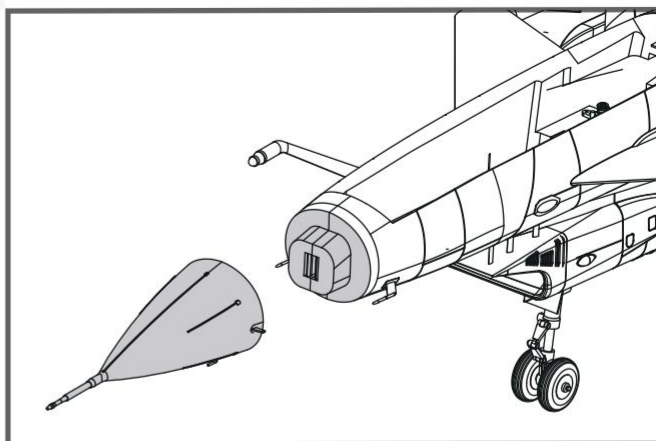
3. 使用所附螺丝固定主翼至机身(螺丝：HKM3\*10mm)。



## 机体安装

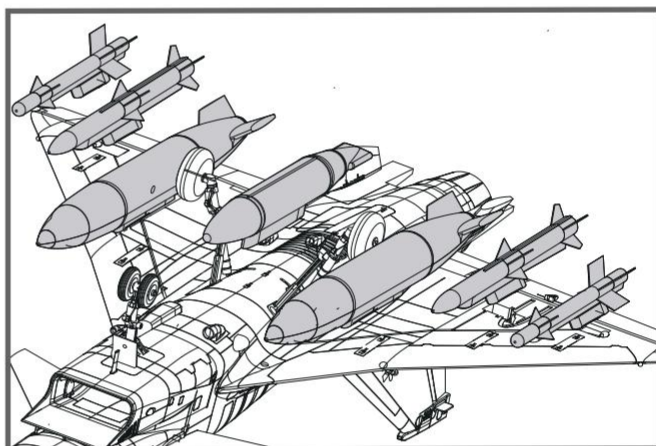
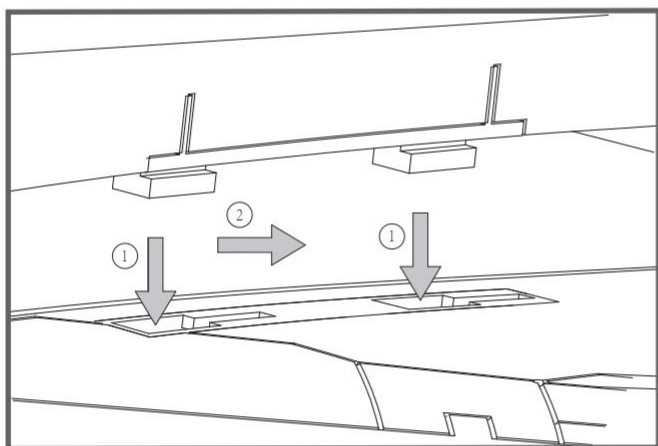
### 机头罩安装

1. 将机头罩安装至机身前端，确保机头罩安装方向正确。



### 仿真武器安装(仅限灰色涂装)

1. 挂弹安装详细示意图：先按箭头①方向装入槽中，再按箭头②方向推，直到扣位卡到位，安装完成。
2. 如图所示，将仿真武器安装至机身和主翼槽位，并往飞机尾部的方向滑动固定。

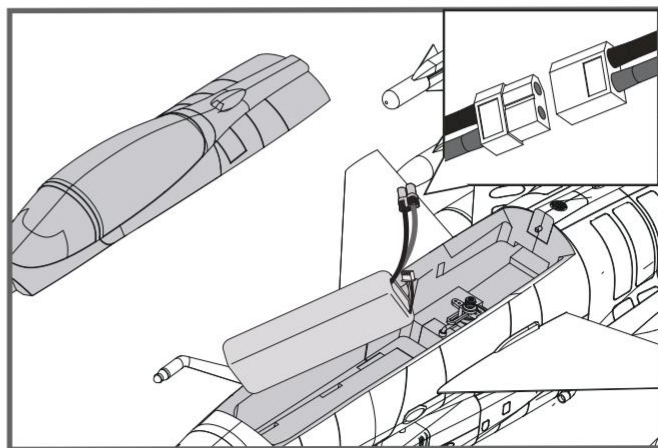


## 电池安装

1. 移开座舱。
2. 取下电池板上的魔术贴(毛面)贴于电池表面。
3. 如图所示，将电池置于电池舱内，用魔术带绑紧，使有电源线的那端朝向飞机的尾部。

注意：由于不同电池厂家生产的电池重量有轻微的差异，需要调整电池的前后位置来平衡飞机的重心位置。

电池仓尺寸：160x55x42mm



## 接收机连接示意图

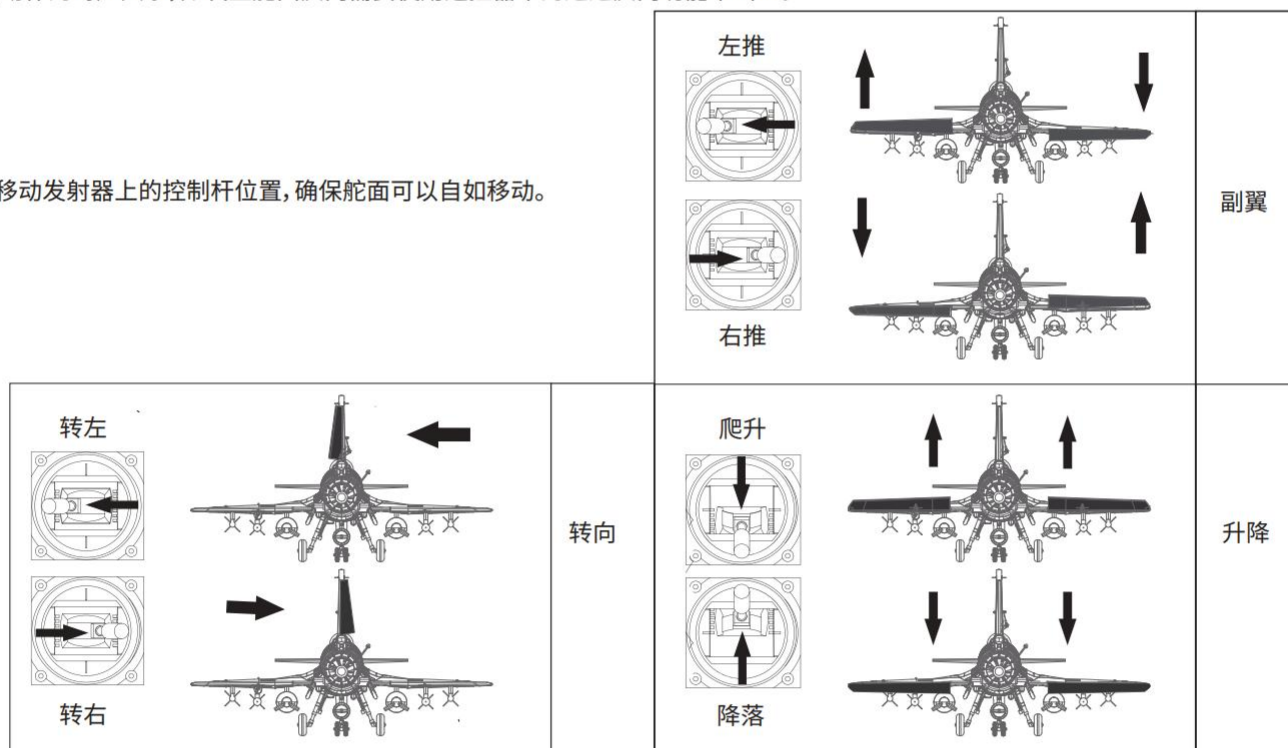
如图所示,以 Futaba 遥控器为例,将副翼舵机信号线插入接收机副翼通道、升降舵舵机信号线插入接收机升降舵通道、方向舵舵机信号线插入接收机方向舵通道、电调信号线插入接收机油门通道。最后将所有连接线整理整齐并固定在电池仓后部的凹槽内,随后固定好接收机。

		Receiver
副翼	1	Channel-1 — Aile
平尾	2	Channel-2 — Elev
油门	3	Channel-3 — Thro
垂尾	4	Channel-4 — Rudd
起落架	5	Channel-5 — Gear
其他通道	6	Channel-6 — Spare

## 遥控器设置

警告:为保证安全,在遥控器参数设置及舵面调整过程中,请务必拆下螺旋桨,以免电机意外启动发生事故。遥控器发射机开机前,确保油门杆在最低位置,其它摇杆在中立位置。开发射机并给接收机通电,随后听到电调初始化音(音符释义见后文“电子调速器说明书”)。观察所有舵面是否回中,如果没有回中,尽量通过调整舵机摇臂角度、连杆长度的方式来使舵面回中,若调整长度在安全范围内仍未回中,则使用遥控器通道微调或者菜单中的“SubTrim”选项来使舵面归中。如下图所示观察摇杆动作与舵面动作的对应关系,如发生舵面反向需要使用遥控器中的通道反向功能来纠正。

1. 移动发射器上的控制杆位置,确保舵面可以自如移动。



### 推荐舵面行程

温馨提示:首飞建议用小舵面行程

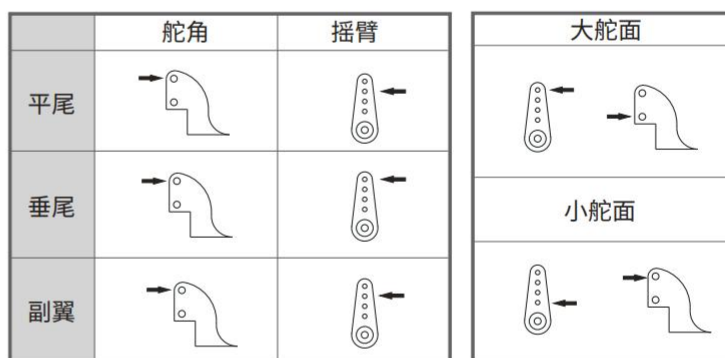
	大	小
升降舵	20mm 上/下	18mm 上/下
副翼舵	12mm 上/下	8mm 上/下
方向舵	22mm 左/右	18mm 左/右

## 重要信息

1. 此模型附带的电调 (ESC) 具有安全启动功能。如果电机电池已连接到电调, 但油门杆不在低油门或关闭位置, 则电机将不会启动, 直到将油门杆移动到低油门或关闭位置。一旦油门杆移动到低油门或关闭位置, 电机将发出一系列蜂鸣声。相同曲调的多个蜂鸣声表示电调已检测到电池的单片节数。蜂鸣声的数量等于电池的单片节数数量。电机现在已经准备就绪, 并将在移动油门杆时启动。
2. 电机和电调器已预先连接, 并且电机的旋转方向应该是正确的。如果出于任何原因电机旋转方向错误, 只需交换电机三根导线中的两根即可更改旋转方向。
3. 电池的选择和安装: 我们推荐使用 14.8V2200mAh-2600mAh 25cLiPo 电池。如果玩家选购其它电池, 我们建议所选电池容量不低于推荐电池。玩家选购的电池在容量、尺寸和重量上需近乎与我们推荐的电池相同, 这样在电池装入机身以后才不会对飞机重心产生太大的影响。

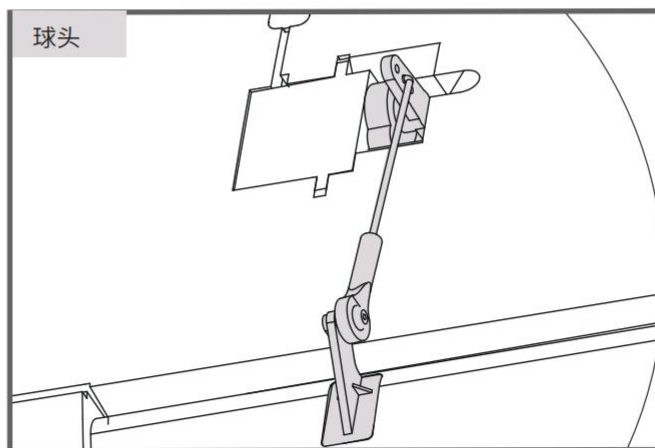
## 舵角和舵机摇臂安装

图示是舵角和舵面摇臂的出厂设置。首飞建议用出厂设置的舵角飞行。首飞后, 可按图调整舵角。



## 连接钢丝安装

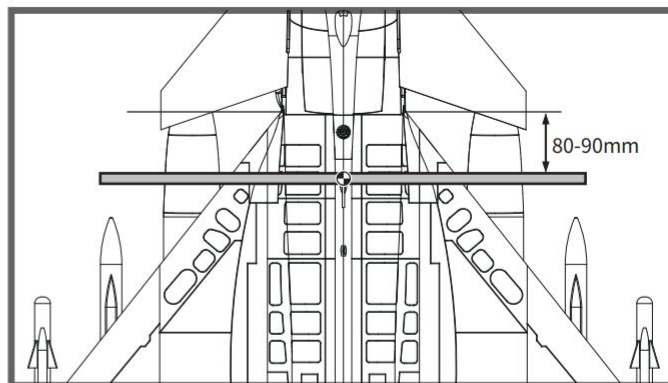
在安装主翼、平尾、垂尾之前需先安装副翼、襟翼、升降舵、方向舵的连接杆。具体步骤如下: 保持舵机在回中状态, 将副翼、襟翼、升降舵、方向舵舵面的连接钢丝有“Z”型折弯的一头由外侧装入相应的舵机摇臂孔位 (请参考“舵角和舵机摇臂安装”相关步骤) 再将钢丝另一端的球头扣安装到各舵角相应的球头上。



## 重心调整

通过移动电池在电池舱内的前后位置调整飞机的重心,使飞机保持水平或稍微头重的状态。首飞以后,重心位置可以根据你自己的飞行偏好再做更改。

- 1.如图所示,推荐重心位置是机翼前缘往后 80-90mm 处(安装电池以后)。推荐把食指放在机翼下面的重心位置来帮助调整重心。
- 2.在调整飞机重心的时候请确定飞机处于组装完毕待飞的状态。



## 飞行前准备

### 起飞前的检查

每次飞行前须做严格的地面检查,可有效避免飞行事故的发生。

1. 检查全机螺丝是否安装到位、舵角摇臂连接可靠。机翼快拆装置已锁紧。
  2. 安装电池,并调整飞机重心到说明书推荐位置。
  3. 动力电池、遥控器发射机电池等已充满电,处于可靠工作状态。
  4. 发射机油门杆保持在最低位(推荐使用带有油门锁定功能的遥控设备),打开发射机,随后连接动力电池,待电调初始化完成后检查各个舵面是否回中,是否动作正确。
  5. 轻推油门观察螺旋桨转向是否正确。
- 所有检查完成后,方可进行飞行,初学者首次飞行需要有经验的爱好者协助完成,避免因操作不当发生飞行事故。

### 合适的飞行场地

航模飞行须远离人群、建筑物、树木、高压线及禁飞区的空旷场地(至少 2-3 个足球场大小)。初学者飞行前需要向有经验的爱好者询问相关安全事宜。

### 关于飞行时间

厂家推荐的飞行时间是使用厂家推荐型号的电池,由有经验的爱好者在微风天完成飞行测试得到的飞行时间,该时间与电池参数、飞机全备重量、飞行条件以及飞行手法相关,不同飞行条件可能得到不同的飞行时间。

建议爱好者在飞行时使用遥控器的“计时功能”,建议初始飞行时间设定为 4 分钟,飞行时间倒计时告警后,降落飞机并测量电池电压,方可估算飞行时间并重新调整遥控器计时。如发射机没有计时功能,需要其他设备辅助测算飞行时间,以保证飞行安全。

在电池放电后期,禁止将飞机飞入下风区(风向指向的远端),防止动力不足而导致飞机不能安全返航。



## 故障检修指导

问题	问题原因	解决方式
油门推杆无响应,但舵机有响应	——电调未连接电机 ——油门通道反向	——降低油门推杆和油门微调设定 ——反过来重新装油门通道
桨的噪音过大或者震动过大	——桨罩、桨、电机、电机架坏了 ——桨或者桨罩的小部件松动了 ——桨装反了	——更换损坏的配件 ——把桨、桨夹和桨罩的小部件拧紧 ——反过来重新装桨
飞行时间变短,飞机无力	——电池电量低 ——桨装反了 ——电池坏了	——重新给电池充电 ——依照电池说明书更换新的电池
飞舵面不动,或者动作响应较慢	——舵面、舵角、连接杆、舵机坏了 ——连接线坏了或者接头松了	——更换或者维修坏了的配件 ——检查所有连接线,确保所有接头无松动现象
舵面反向	——遥控器发射机通道反向	——检查通道控制(舵面)方向,调试飞机舵面和遥控器的舵面控制杆
电机无力	——电机或电池坏了 ——电调用了不合适的低压保护装置	——检查电池、发射机、接收机、电调、电机是否有损坏(如有,请及时更换) ——立刻操控飞机降落,重新给电池充电
接收器的 LED 灯慢闪	——接收器低电量	——检查电调和接收器之间的连接 ——检查舵机是否受损 ——检查连接杆是否安装到位

## 配件列表

FMSEU101GY	机身	FMSEU119GY	尾喷吸塑
FMSEU102GY	主翼	FMSEU120	空速管
FMSEU103GY	鸭翼	FMSDFX010	64mm 12叶涵道
FMSEU104GY	垂尾	PRKVX3150	2840-KV3150电机
FMSEU105GY	机头罩	PRESC040	40A电调
FMSEU106GY	座舱罩	FMSSER003	9g 塑胶数码正向舵机
FMSEU107GY	油箱导管组	FMSSER011	9g 塑胶数码舵机 54 度
FMSEU108	连接杆	FMSEU101BU	机身
FMSEU109	前起落架	FMSEU102BU	主翼
FMSEU110	主起落架组	FMSEU103BU	鸭翼
FMSEU111	对接管	FMSEU104BU	垂尾
FMSEU112GY	贴纸	FMSEU105BU	机头罩
FMSEU113	螺丝组	FMSEU106BU	座舱罩
FMSEU114GY	舵角组	FMSEU107BU	油箱导管组
FMSEU115GY	腹鳍	FMSEU112BU	贴纸
FMSEU116	灯组	FMSEU114BU	舵角组
FMSEU117	灯罩	FMSEU115BU	腹鳍
FMSEU118	空中加油探管	FMSEU119BU	尾喷吸塑

如需查找产品图片,请登录FMS官方淘宝店<https://fmsmodel.taobao.com>。如需查找电调说明书,则在以上网址搜索栏中搜索关键词“电调”,即可在任何一款电调产品页面查看。

## 无刷电子调速器说明

### 安全须知

检验无线电接收装置上的正确设置,第一次测试电调和马达时不要在马达上安装螺旋桨或传动小齿轮。只有当您确认了无线电接收装置上的设置正确后方能安装螺旋桨或传动小齿轮。

- 不要使用裂开或被刺破的蓄电池组电池。
- 不要使用会变得过热的电池组。
- 不要使用短路电池或马达接线端。
- 电缆绝缘要用正确的绝缘材料。
- 使用正确的电缆连接器。
- 电池或伺服系统的数量不要超过电调的规定。
- 错误的电池极性会损坏电调。

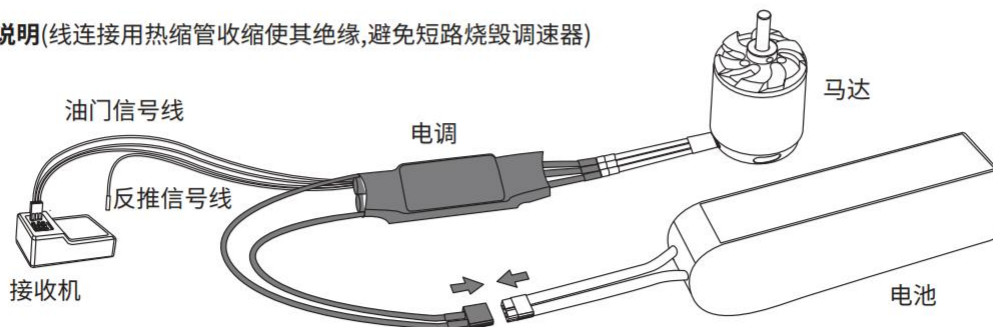
### 主要特性

- 1.功率输出元器件(MOSFET)选用新一代的制作工艺,发热低,瞬间承受电流大,可靠性高。
- 2.高性能32位处理器,运算能力更强,运行速度更快。
- 3.超流畅的启动与精准的油门线性。
- 4.效率高,电调更节能,续航时间更长。
- 5.SBEC5V/6V两档可调,持续8A电流供应,给舵机提供更强劲的动力(40A/50A/60A/80A/100A具有SBEC可调)。
- 6.多重保护:启动保护,过温保护,低压保护,缺相保护,信号丢失保护。
- 7.自动识别马达进角,支持高RPM马达,可兼容市面上绝大多数马达。
- 8.支持手机App或LCD编程,操作更简单方便(需单独购买ZTW蓝牙模块或LCD编程卡)。

### 产品规格

型号	PN#Model	持续/瞬时电流(A)	输入电压	重量(g)	BEC输出	尺寸(mm) 长*宽*高	是否支持编程
Beatles 20A SBEC G2	3020211	20A/30A	5-12NC/2-4Lipo	25	5.5V/4A	60*25*10	是
Beatles 30A SBEC G2	3030211	30A/40A	5-12NC/2-4Lipo	25	5.5V/4A	60*25*10	是
Beatles 40A SBEC G2	3040211	40A/55A	5-12NC/2-4Lipo	37	5V/6V 4A	68*25*10	是
Beatles 50A SBEC G2	3050211	50A/65A	5-12NC/2-4Lipo	37	5V/6V 4A	68*25*10	是
Beatles 60A SBEC G2	3060211	60A/80A	5-18NC/2-6Lipo	50	5V/6V 8A	70*34*10	是
Beatles 80A SBEC G2	3080211	80A/100A	5-18NC/2-6Lipo	75	5V/6V 8A	90*37*10	是
Beatles 100A SBEC G2	30100211	100A/120A	5-18NC/2-6Lipo	80	5V/6V 8A	90*37*10	是

调速器接线说明(线连接用热缩管收缩使其绝缘,避免短路烧毁调速器)



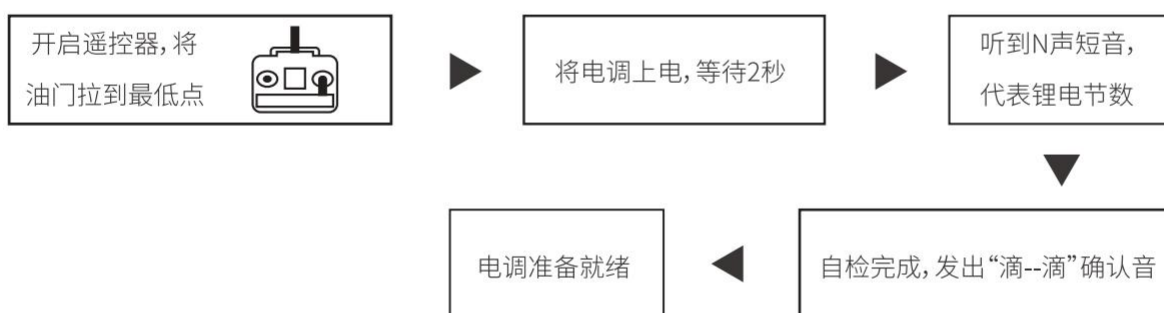
## 无刷电子调速器说明

### 首次使用电调并设置油门行程

温馨提示:在首次使用本电调或更换其他遥控器使用时,请务必先重新设定油门行程。



### 首次使用电调并设置油门行程



### 编程项简要说明(黑体字为出厂默认值)

#### 1. SMR功能:**关闭**/打开

通过切换电机正反向,快速停止。出厂默认是关闭,此时1Pin信号线完全无效。如需打开,通过App设置或遥控器编程打开SMR功能,将3Pin信号线接入油门通道,将1Pin信号线接入接收机任意的2段开关通道,打开遥控器2段开关,此时SMR功能开启,拨动遥控器2段开关即可调整电机正反向。

**警告:**此功能只能在50%油门以下才有效,且只允许在飞机降落至地面使用,否则有可能引起电调烧毁!

#### 2. 刹车力度:**关闭**/软/中度/最大

#### 3. 进角:**自动**/低/中/高(分别为5度/15度/25度)

#### 4. 马达方向:**正向**/反向(正向:电机默认旋转方向,反向:将电机旋转方向更改)

#### 5. SR功能:打开/**关闭**(效率更高,更节能,续航时间更长)

#### 6. 锂电节数:**自动**/2S/3S/4S/5S/6S

#### 7. 低压保护点:**3.0V**/3.2V/3.4V/3.6V

(例如:使用3节锂电,设定为3.0V为低电压保护值,则低压保护阈值为:3\*3.0=9.0V)

#### 8. 保护方式:**降低功率**/立即关断

降低功率:当达到预设的低压保护阈值时,电调减少输出功率至70%

立即关断:当达到预设的低压保护阈值时,电调立即关断输出功率

#### 9. BEC: **5V**/6V

40A、50A、60A、80A、100A电调BEC电压输出可设置5V/6V

#### 10. 加速度:**普通**/柔和

# 无刷电子调速器说明

## 保护功能

- 1.启动保护:**当推油门启动后,如在两秒内未能正常启动电机,电调将会关闭电机,油门需要重新设置,才可以重新启动。  
可能原因:电调与电机接线断开或接触不良、螺旋桨被其他物体阻挡、减速齿卡死等。
- 2.温度保护:**当电子调速器工作温度超过110度时,电调将自动降低输出功率进行保护,但不会将输出功率全部关闭,最多降到全功率的70%,以保证电机留有一定动力,避免摔机。
- 3.油门信号丢失保护:**当电调检测到油门信号丢失1秒后,将自动减少对马达的输出功率,然后油门信号丢失超过2秒,电调将自动关断马达。如果在降功率过程中油门信号恢复,电调可以立即恢复油门控制。这样在瞬间信号丢失情况下(2秒以下),电调并不会进行油门保护;只有当遥控信号确实长时间丢失,才进行保护,但电调不是立即关闭输出,而是有一个逐步降低输出功率的过程,给玩家留有一定的救机时间,兼顾安全性和实用性。
- 4.过负荷保护:**当负载突然变得很大时,电调会切断动力,或自动重启,出现负载急剧增加的原因通常是马达堵转。

## 常见问题解答

出现的问题	可能的原因	解决方法
接通电调后有自动检测电池节数声音,但马达不能启动	电调没有油门行程设置	对电调进行油门行程设置
马达不工作,连接电池后马达未发音乐声,伺服系统也未运行	电池组与电调之间接触不良 没接通电源 焊接不牢固(接头易断) 电池电缆极性错误 电调信号线与接收机连接极位相反  电调有问题	清理连接器终端或替换连接器 用刚充满电的电池组替换 再次焊接电缆连接 检查并确认电缆极性 检查连接在电调上的信号线以确保处于正确极性  更换电调
马达不工作,连接电池后马达未发出音乐声,但伺服系统在运行接通电调后马达不工作,发出警报音(两声滴滴响后有短暂停顿)	电调与马达之间接触不良 马达线圈被烧 焊接不牢固(接头易断) 电池组电压超出正常范围	检查连接器终端或替换连接器 替换马达 再次焊接电缆连接 更换为刚充满电的电池组,检查电池组电压
接通电调后马达不工作,发出警报音(持续地滴滴响)	通电后油门拉杆不在最小位置	将油门拉杆移至最小位置
接通电调后马达不工作,电调发出两声长响之后,有两声更长点的滴滴响	被颠倒的油门通道导致电调进入程序设计模式	进入发射器上的伺服系统倒转菜单并倒转油门通道
马达反向运行	电调与马达之间错误的电缆连接	交换电调与马达之间三条电缆连接中的任意两条或者通过电调程序设计模式进入马达旋转功能并改变预设参数
飞行过程中,马达停止运行	丢失了油门信号	检查无线电接收装置是否操作得当 检查电调和接收机信号线路及发送频道和电调信号线之间确保有足够的隔离来防止干扰 在电调的信号线上安装一个磁环